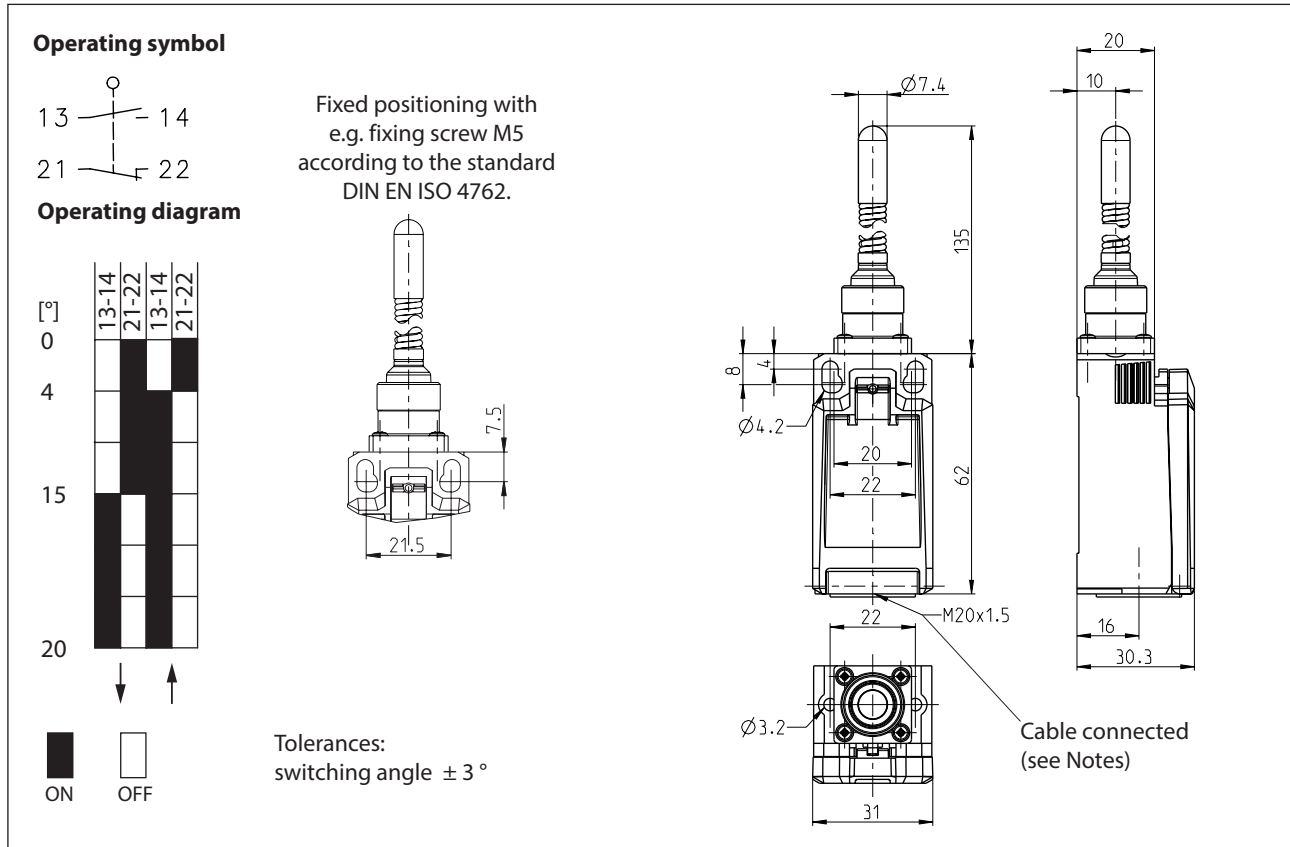


Plastic bodied limit switch Series IN62

Description **IN62-SU1 FF KV0.25**

Article number **6183000257**



Electrical Data (applies to switch without cable)		
Rated insulation voltage	U_i	400 V
Rated impulse withstand voltage	U_{imp}	4 kV
Rated operational voltage	U_e	240 V AC / 24 V DC
Rated supply frequency AC		50 / 60 Hz
Overvoltage category		II acc. EN 60947-1 annex H table H1
Conv. thermal current	I_{the}	5 A
Minimum current		1 mA
Utilization category		AC 15, U_e/I_e 240 V / 3 A DC 13, U_e/I_e 24 V / 1,5 A (B300 table A.1)
Short-circuit protective device		Fuse 4 A gG
Rated conditional short-circuit current		400 A
Max. contact resistance		25 mOhm (unused)
Protection class		II, totally insulated

Mechanical data (applies to switch without cable)		
Enclosure		Thermoplastic, glass fibre reinforced (UL 94-V0)
Cover		Thermoplastic, glass fibre reinforced (UL 94-V0)
Actuator		Wobble stick with plastic slide
Actuating force	F_B	$10\text{ N} \leq F_B \leq 30\text{ N}$
Operating temperature		$-30\text{ °C} \dots +75\text{ °C}$
Storage temperature		$-40\text{ °C} \dots +80\text{ °C}$
Protection type		IP67 acc. EN 60529
Pollution degree (built-in switch)		3
Contact material		silver
Device Class (built-in switch)		Category E (MC3+CC2+SC1) acc. EN 60947-1 annex Q
Contact type		1 N.C., 1 N.O. (Form Zb)
Operating rate	V	$0,06\text{ m/min} \leq V \leq 30\text{ m/min}$
Bounce duration	ms	< 3 ms
Switchover time	ms	< 8 ms
Switching frequency		$\leq 60 / \text{min.}$
Mechanical life		10×10^6 operating cycles
Mission time		≤ 20 years
Connection		4 screw connections (M3)
Conductor cross-sections		Solid or Litz wire with ferrules $0,34\text{ mm}^2 - 1,5\text{ mm}^2$; AWG 22-16
Cable entrance		1 x M20 x1,5 (see Notes)
Weight		$\approx 0,06\text{ kg}$
Installation position		operator definable

Actuation
The actuator can be approached from all directions with exception of the axial direction.

Standards
DIN EN 60947-5-1
UL 508 / CSA C22.2 No.14

EU Conformity
acc. to directive 2014/35/EU (Low-Voltage-Directive)

Notes
<p>The degree of protection (IP code) specified applies solely to a property closed cover and the use of an equivalent cable gland with adequate cable.</p> <p>Switch connected with the following cable:</p> <ul style="list-style-type: none"> - Cable outlet through cable gland - 2 x $0,34\text{ mm}^2$; black; length approx. 250 mm (incl. plug) - Plug AMP Superseal Series 1.5, 3-pin, attached to cable - PIN (plug) 1 to contact (switch) 13; PIN 3 to contact 14