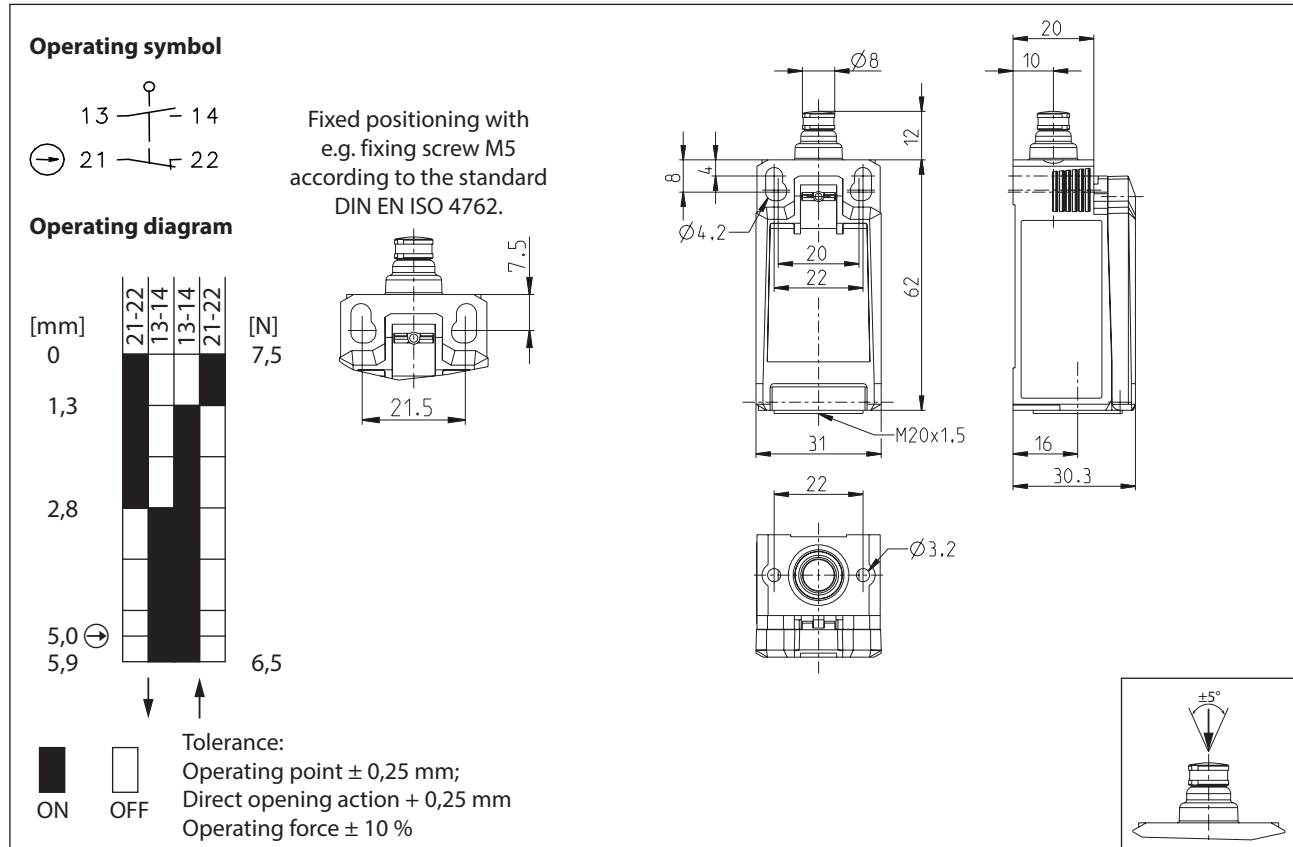


# Plastic bodied limit switch

## Series IN62

Description <b>IN62-SU1Z SK WN SW</b>	Article number <b>6183000249</b>
---------------------------------------	----------------------------------



Electrical Data		
Rated insulation voltage	$U_i$	400 V
Rated impulse withstand voltage	$U_{imp}$	4 kV
Rated operational voltage	$U_e$	240 V AC / 24 V DC
Rated supply frequency AC		50 / 60 Hz
Overvoltage category		II acc. EN 60947-1 annex H table H1
Conv. thermal current	$I_{the}$	5 A
Minimum current		1 mA
Utilization category		AC 15, $U_e/I_e$ 240 V / 3 A DC 13, $U_e/I_e$ 24 V / 1,5 A
Direct opening action	$\ominus$	acc. IEC/EN 60947-5-1, annex K; direct opening force: 18 N
Short-circuit protective device		Fuse 4 A gG
Rated conditional short-circuit current		400 A
Max. contact resistance		25 mOhm (unused)
Protection class		II, totally insulated

Mechanical data	
Enclosure	Thermoplastic, glass fibre reinforced (UL 94-V0), black
Cover	Thermoplastic, glass fibre reinforced (UL 94-V0)
Actuator	Plunger (Thermoplastic (UL 94-HB))
Actuating force	$F_B$ 10 N $\leq F_B \leq$ 30 N
Operating temperature	-30 °C ... +75 °C
Storage temperature	-40 °C ... +80 °C
Protection type	IP54 acc. EN 60529
Pollution degree (built-in switch)	3
Contact material	silver
Device Class (built-in switch)	Category E (MC3+CC2+SC1) acc. EN 60947-1 annex Q
Contact type	1 N.C. (Form Zb), 1 N.O.
Operating rate	$V$ 0,06 m/min $\leq V \leq$ 30 m/min
Bounce duration	ms < 3 ms
Switchover time	ms < 8 ms
Switching frequency	$\leq$ 60 / min.
Mechanical life	10 x 10 <sup>6</sup> operating cycles
Mission time	$\leq$ 20 years
Connection	4 screw connections (M3)
Conductor cross-sections	Solid or Litz wire with ferrules 0,34 mm <sup>2</sup> - 1,5 mm <sup>2</sup> ; AWG 22-16
Cable entrance	1 x M20 x1,5
Weight	$\approx$ 0,06 kg
Installation position	operator definable

Actuation
The push bolt actuator is mainly intended to be actuated along its axis.

ID for safety engineering
B10d N.C. 20 x 10 <sup>6</sup> cycles
B10d N.O. 1 x 10 <sup>6</sup> cycles

Standards
DIN EN 60947-5-1
UL 508 / CSA C22.2 No.14
DIN EN ISO 13849-1
EN81-20
EN81-50

EU Conformity
acc. to directive 2006/42/EC (Safety-of-Machinery-Directive)

Approvals
DGUV (AC 15, U <sub>e</sub> /I <sub>e</sub> 240 V / 1,5 A; DC 13, U <sub>e</sub> /I <sub>e</sub> 24 V / 1,5 A)
CCC (AC 15, U <sub>e</sub> /I <sub>e</sub> 240 V / 1,5 A; DC 13, U <sub>e</sub> /I <sub>e</sub> 24 V / 1,5 A)
cCSA <sub>US</sub> B300, 240Vac 1.5A G.P., 24Vdc 1.5A R. Enclosure Type 4X

**Notes**

The degree of protection (IP code) specified applies solely to a property closed cover and the use of an equivalent cable gland with adequate cable.

Accessories:

1 x sealing grommet with IP54