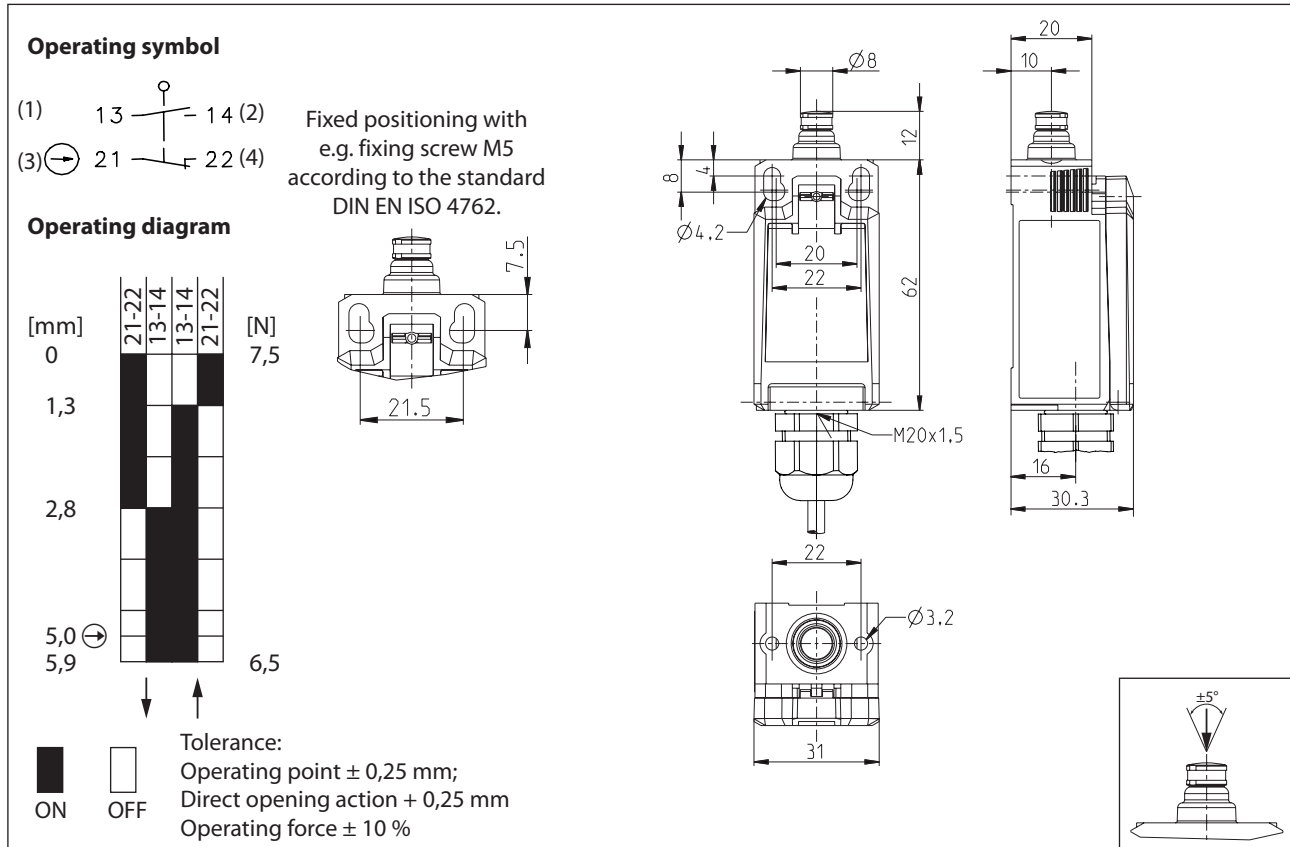


Plastic bodied limit switch Series IN62

Description **IN62-SU1Z SK KV1**

Article number **6183000239**



| Electrical Data | | |
|---|-----------|---|
| Rated insulation voltage | U_i | 400 V |
| Rated impulse withstand voltage | U_{imp} | 4 kV |
| Rated operational voltage | U_e | 240 V AC / 24 V DC |
| Rated supply frequency AC | | 50 / 60 Hz |
| Overvoltage category | | II acc. EN 60947-1 annex H table H1 |
| Conv. thermal current | I_{the} | 5 A |
| Minimum current | | 1 mA |
| Utilization category | | AC 15, U_e/I_e 240 V / 3 A DC 13, U_e/I_e 24 V / 1,5 A (B300 table A.1) |
| Direct opening action | | acc. IEC/EN 60947-5-1, annex K; direct opening force: 18 N |
| Short-circuit protective device | | Fuse 4 A gG |
| Rated conditional short-circuit current | | 400 A |
| Max. contact resistance | | 25 mOhm (unused) |

| Mechanical data | |
|------------------------------------|--|
| Enclosure | Thermoplastic, glass fibre reinforced (UL 94-V0) |
| Cover | Thermoplastic, glass fibre reinforced (UL 94-V0) |
| Actuator | Plunger (Thermoplastic (UL 94-HB)) |
| Actuating force | F_B 10 N $\leq F_B \leq$ 30 N |
| Operating temperature | -30 °C ... +75 °C |
| Storage temperature | -40 °C ... +80 °C |
| Protection type | IP67 acc. EN 60529 |
| Pollution degree (built-in switch) | 3 |
| Contact material | silver |
| Device Class (built-in switch) | Category E (MC3+CC2+SC1) acc. EN 60947-1 annex Q |
| Contact type | 1 N.C. (Form Zb), 1 N.O. |
| Operating rate | V 0,06 m/min $\leq V \leq$ 30 m/min |
| Bounce duration | ms < 3 ms |
| Switchover time | ms < 8 ms |
| Switching frequency | \leq 60 / min. |
| Mechanical life | 10 x 10 ⁶ operating cycles |
| Mission time | \leq 20 years |
| Connection | Cable 4 x 0,5 mm ² x 1000 mm \pm 10 %, Halogen-free control cable, grey (Lapp cable-no.: 1123004) |
| Weight | \approx 0,95 kg |
| Installation position | operator definable |

| Actuation |
|--|
| The push bolt actuator is mainly intended to be actuated along its axis. |

| ID for safety engineering | |
|----------------------------------|-----------------------------|
| B10d N.C. | 20 x 10 ⁶ cycles |
| B10d N.O. | 1 x 10 ⁶ cycles |

| Standards | |
|------------------|--------------------------|
| | DIN EN 60947-5-1 |
| | UL 508 / CSA C22.2 No.14 |
| | DIN EN ISO 13849-1 |
| | EN81-20 |
| | EN81-50 |

| EU Conformity |
|--|
| acc. to directive 2006/42/EC (Safety-of-Machinery-Directive) |

| Approvals |
|---|
| DGUV (AC 15, U _e /I _e 240 V / 1,5 A; DC 13, U _e /I _e 24 V / 1,5 A) |
| CCC (AC 15, U _e /I _e 240 V / 1,5 A; DC 13, U _e /I _e 24 V / 1,5 A) |
| TÜV Süd (AC 15, U _e /I _e 240 V / 1,5 A; DC 13, U _e /I _e 24 V / 1,5 A) |
| cCSA _{US} B300, 240Vac 1.5A G.P., 24Vdc 1.5A R. Enclosure Type 4X |

Notes

The degree of protection (IP code) specified applies solely to a property closed cover and the use of an equivalent cable gland with adequate cable.