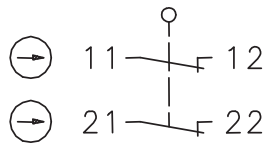


Plastic bodied limit switch Series ENK

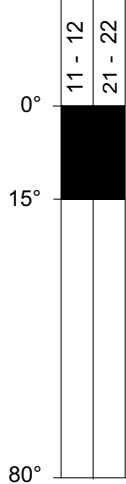
Description **ENK-A2Z AHS-V**

Article number **6181835158**

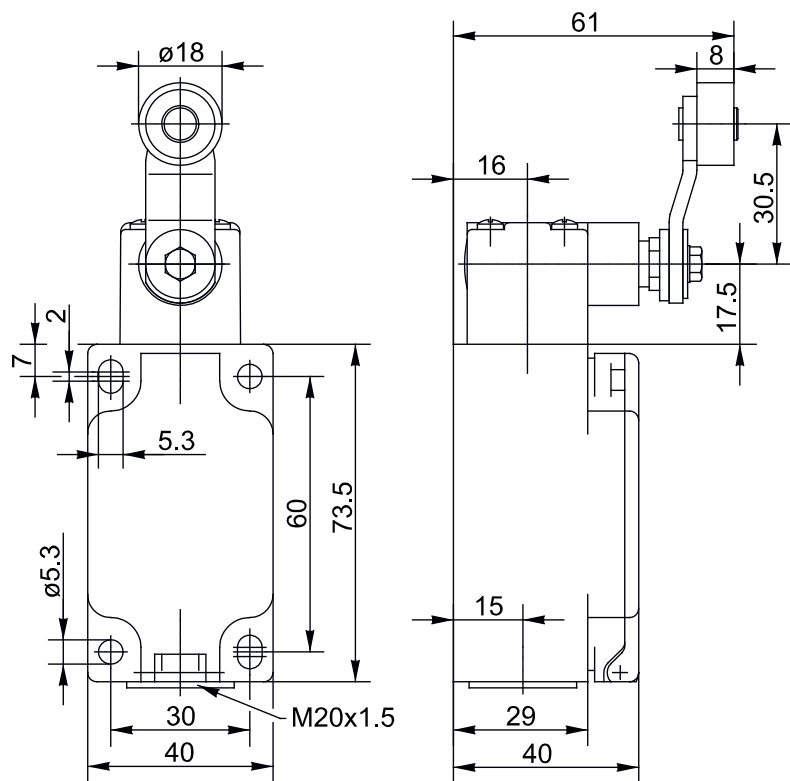
Operating symbol



Operating diagram



On
 Off
 Tolerance:
 Operating Point $\pm 3,5^\circ$;
 Operating force $\pm 10\%$



Electrical Data

Rated insulation voltage	U_i	400 V AC
Conv. thermal current	I_{the}	5 A
Rated operational voltage	U_e	240 V
Utilization category		AC-15, U_e/I_e 240 V / 1,5 A
Direct opening action	\ominus	acc. to IEC/EN 60947-5-1, annex K
Short-circuit protective device		Fuse 6 A gG
Protection class		II, totally insulated

Mechanical data	
Enclosure	Thermoplastic, glass fibre reinforced (UL 94-V0)
Cover	Thermoplastic, glass fibre reinforced (UL 94-V0)
Actuator	Lever arm housing (Zn-die cast), lever (st), roller (thermoplastic)
Ambient air temperature	-30 °C ... +80 °C
Contact type	2 N.C. (Zb)
Mechanical life	1 x 10 ⁶ operating cycles
Switching frequency	≤ 100 / min.
Assembly	4 x M5
Connection	4 screw connections (M3)
Conductor cross-sections	Solid: 0.5 ... 1.5 mm ² Litz wire with ferrules: 0.5 ... 1.5 mm ²
Cable entrance	1 x M20 x 1,5
Weight	≈ 0,22 kg
Installation position	operator definable
Protection type	IP65 acc. to EN 60529

ID for safety engineering	
B10d	2 x 10 ⁶ cycles

Actuation
<p>The actuating device is preferably started from 2 sides. By loosening the 4 screws the actuation assembly can be rotated in 90 degree increments such that 8 actuation directions are possible. The actuation assembly is to be again fastened to the housing using the 4 screws.</p>

Standards
VDE 0660 T100, DIN EN 60947-1, IEC 60947-1
VDE 0660 T200, DIN EN 60947-5-1, IEC 60947-5-1
DIN EN ISO 13849-1

EU Conformity
acc. to directive 2014/35/EU

Approvals
cCSA _{US} B300 (same polarity)
CCC
UL

Notes
The degree of protection (IP code) specified applies solely to a property closed cover and the use of an equivalent cable gland with adequate cable.