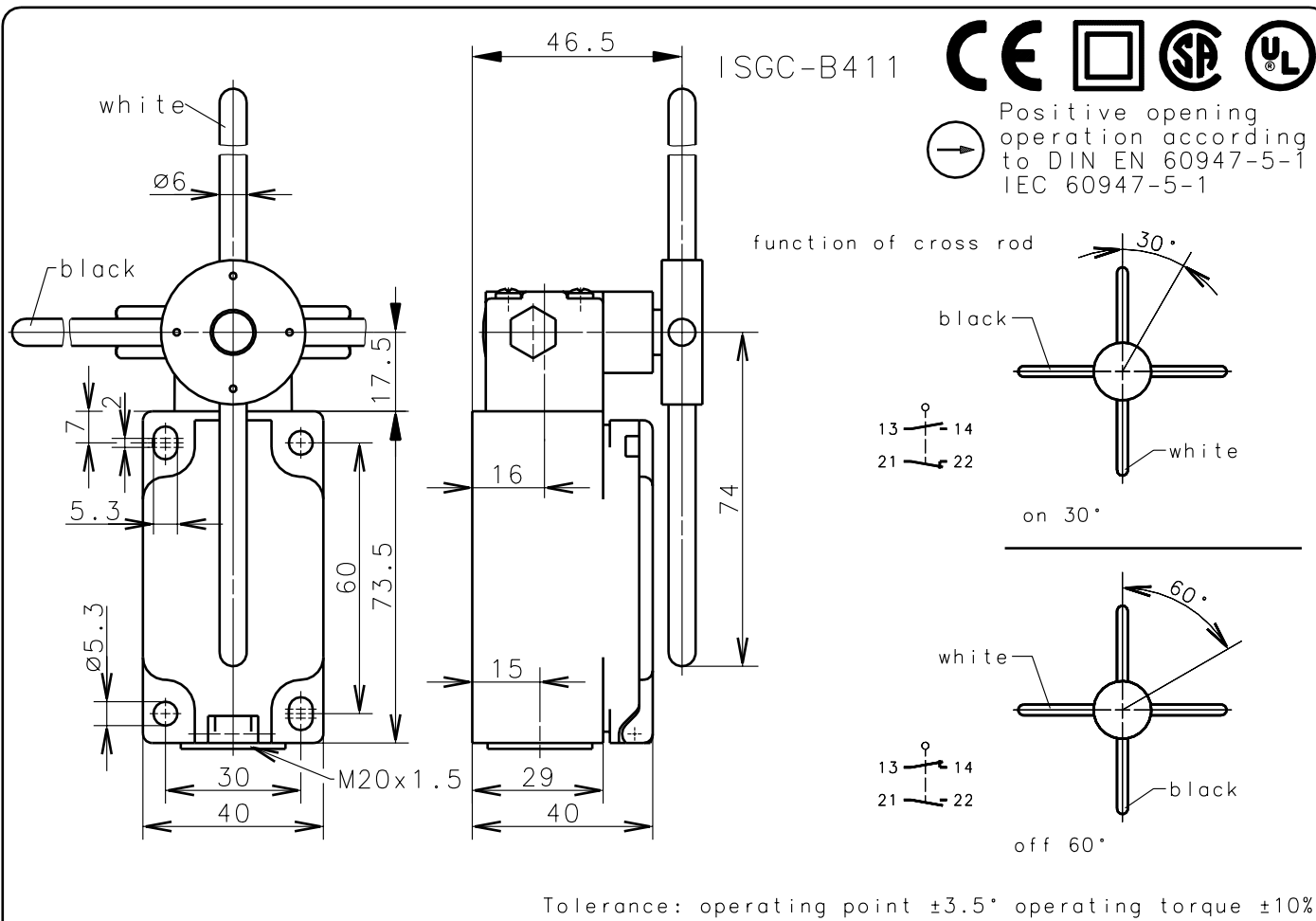


**Bernstein**Bernstein AG
Postfach 1164
D-32437 Porta Westfalica**Technical data sheet****ENK-SU1Z AD4K****618.1187.271**Tolerance: operating point $\pm 3.5^\circ$ operating torque $\pm 10\%$ Schutzvermerk nach DIN 34 beachten
Copyright reserved**Mechanical features**

Enclosure: Thermoplast, glass fibre reinforced
 Cover: Thermoplast, glass fibre reinforced
 Actuator: Cross rod with plastic axle

Ambient air temperature: -30°C up to $+80^\circ\text{C}$
 Contact type: 1 NC-contact, 1 NO-contact (Zb)

Mechanical life: 1×10^6 switch operations
 Switch frequency: max. 20/min
 Mounting: 4 x M5
 Connection type: 4 screw connections (M3,5)
 Conductor cross-section: single core 0.5-1.5mm² / litz wire with connector sleeve 0.5-1.5mm²
 Cable entry size: 1 x M20x1.5
 Weight: approx. 0,23kg

Electrical features

Rated insulation voltage: $U_i = 400 \text{ V AC}$
 Conventional thermal current: $I_{the} = 10 \text{ A}$
 Max. inrush current: according to IEC 60947-5-1; AC 15, A300
 Utilization categorie: AC 15, A300, U_e/I_e 240V/3A
 Standards: according to EN 60947-1; EN 60947-5-1
 Protection class (IP-Code): IP65 according to EN 60529, DIN VDE 0470 T1
 CSA: 10A 300V AC, A300 (same polarity)
 Short-circuit protection: Fuse 2A gL/gG, IEC/EN 60947-5-1, appendix K

Remarks

The moving parts should be oiled periodically.
 The cross rod can be used in both directions. After actuating the cross rod 45° or more, it springs to 90° position automatically.
 The rated protection class (IP-Code) is valid only at closed cover and when using an at least equivalent cable gland.

28.10.03