

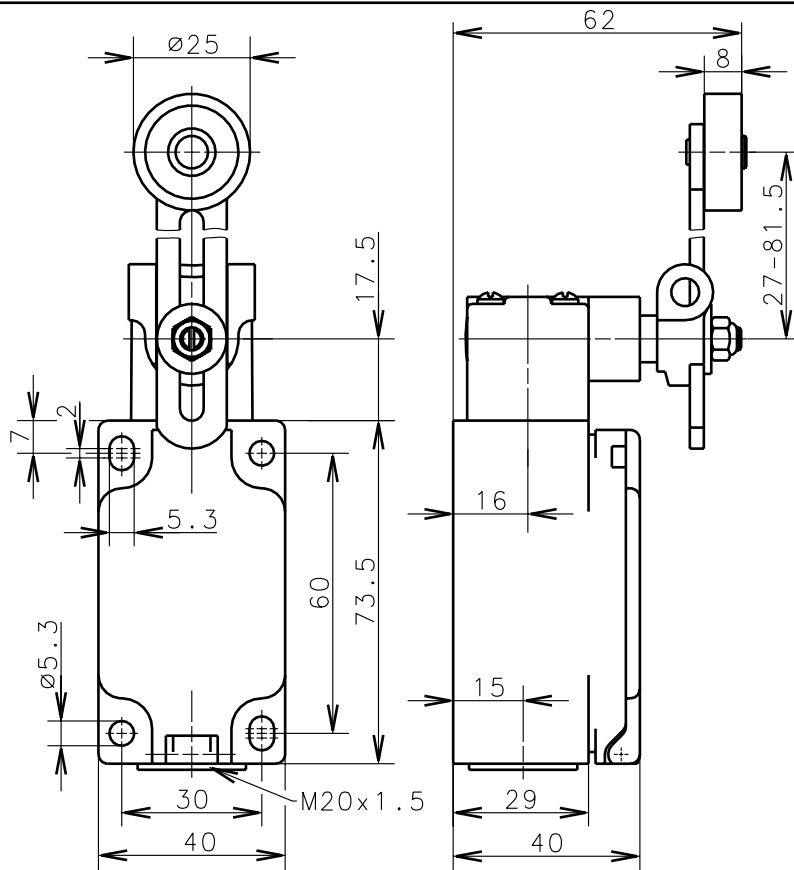


Bernstein AG  
Postfach 1164  
D-32437 Porta Westfalica

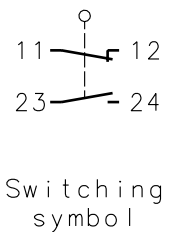
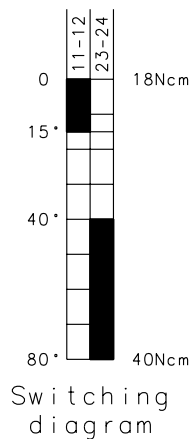
# Technical data sheet

ENK-U1 AV

618.1136.260



ISGT-B111



Tolerance: operating point  $\pm 3.5^\circ$ ; operating torque  $\pm 10\%$

## Mechanical features

Enclosure: Thermoplast, glass fibre reinforced  
Cover: Thermoplast, glass fibre reinforced  
Actuator: Turret head (Zn-die cast), Roller (Thermoplast)

Ambient air temperature:  $-30^\circ\text{C}$  up to  $+80^\circ\text{C}$   
Contact type: 1 NC-contact, 1 NO-contact

Mechanical life:  $10 \times 10^6$  switch operations  
Switch frequency: max. 100/min  
Mounting: 4 x M5  
Connection type: 4 screw connections (M3.5)  
Conductor cross-section: single core 0.5-1.5mm<sup>2</sup> / Litz wire with connector sleeve 0.5-1.5mm<sup>2</sup>  
Cable entry size: 1 x M20x1.5  
Weight: approx. 0,24kg

## Electrical features

Rated insulation voltage:  $U_i = 400 \text{ V AC}$   
Conventional thermal current:  $I_{the} = 10 \text{ A}$   
Max. inrush current: according to IEC 60947-5-1, AC 15, A300  
Utilization categorie: AC 15, A300,  $U_e/I_e$  240V/3A  
Standards: according to EN 60947-1; EN 60947-5-1  
Protection class (IP-Code): IP65 according to EN 60529; DIN VDE 0470 T1  
CSA: 10A 300V AC, A300 (same polarity)  
Short-circuit protection: Fuse 10A gL/gG, IEC/EN 60947-5-1

## Approach possibilities

By loosening the 4 screws the Actuation Assembly can be rotated in 90 degree increments such that 4 Actuation directions are possible. The Actuation Assembly is to be again fastened to the housing using the 4 screws.

## Remarks

The moving parts should be oiled periodically.  
The rated protection class (IP-Code) is valid only at closed cover and when using an at least equivalent cable gland.

Copies are not retreated in case of alternations.

Schutzmerk nach DIN 34 beachten  
Copyright reserved

26.09.03