



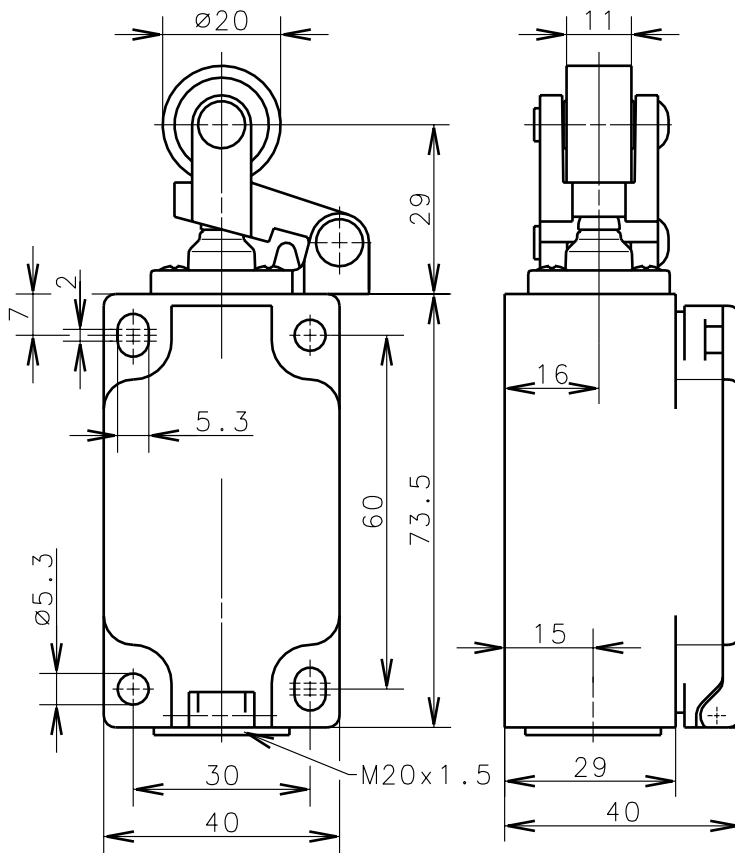
Bernstein

Bernstein AG
Postfach 1164
D-32437 Porta Westfalica

Technical data sheet

ENK-U1Z Hw

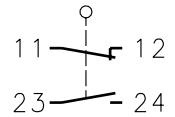
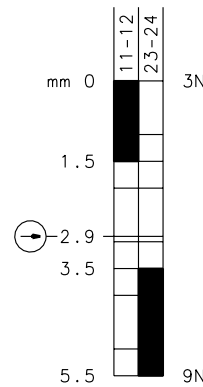
618.1121.258



Positive opening operation according to DIN EN 60947-5-1 IEC 60947-5-1



ISGE-B211



Switching diagram

Switching symbol

Tolerance: operating point $\pm 3.5^\circ$; operating torque $\pm 10\%$

Mechanical features

Enclosure: Thermoplast, glass fibre reinforced
Cover: Thermoplast, glass fibre reinforced
Actuator: Lever (Zn-die cast), Roller (thermoplast)

Ambient air temperature: -30°C up to $+80^\circ\text{C}$
Contact type: 1 NC-contact, 1 NO-contact (Zb)

Mechanical life: 10×10^6 switch operations
Switch frequency: max. 100/min
Mounting: 4 x M5
Connection type: 4 screw connections (M3.5)
Conductor cross-section: single core $0.5-1.5\text{mm}^2$ / Litz wire with connector sleeve $0.5-1.5\text{mm}^2$
Cable entry size: 1 x M20x1.5
Weight: approx. 0,16kg

Electrical features

Rated insulation voltage: $U_i = 400\text{ V AC}$
Conventional thermal current: $I_{the} = 10\text{ A}$
Max. inrush current: according to IEC 60947-5-1, AC 15, A300
Utilization categorie: AC 15, A300, U_e/I_e 240V/3A
Standards: according to EN 60947-1; EN 60947-5-1
Protection class (IP-Code): IP65 according to EN 60529; DIN VDE 0470 T1
CSA: 10A 300V AC, A300 (same polarity)
Short-circuit protection: Fuse 10A gL/gG, IEC/EN 60947-5-1, appendix K

Approach possibilities

By loosening the 4 screws the Actuation Assembly can be rotated in 90 degree increments such that 4 Actuation directions are possible. The Actuation Assembly is to be again fastened to the housing using the 4 screws.

Remarks

The moving parts should be oiled periodically.
The rated protection class (IP-Code) is valid only at closed cover and when using an at least equivalent cable gland.

Copies are not retreated in case of alternations.

Schutzvermerk nach DIN 34 beachten
Copyright reserved

26.09.03