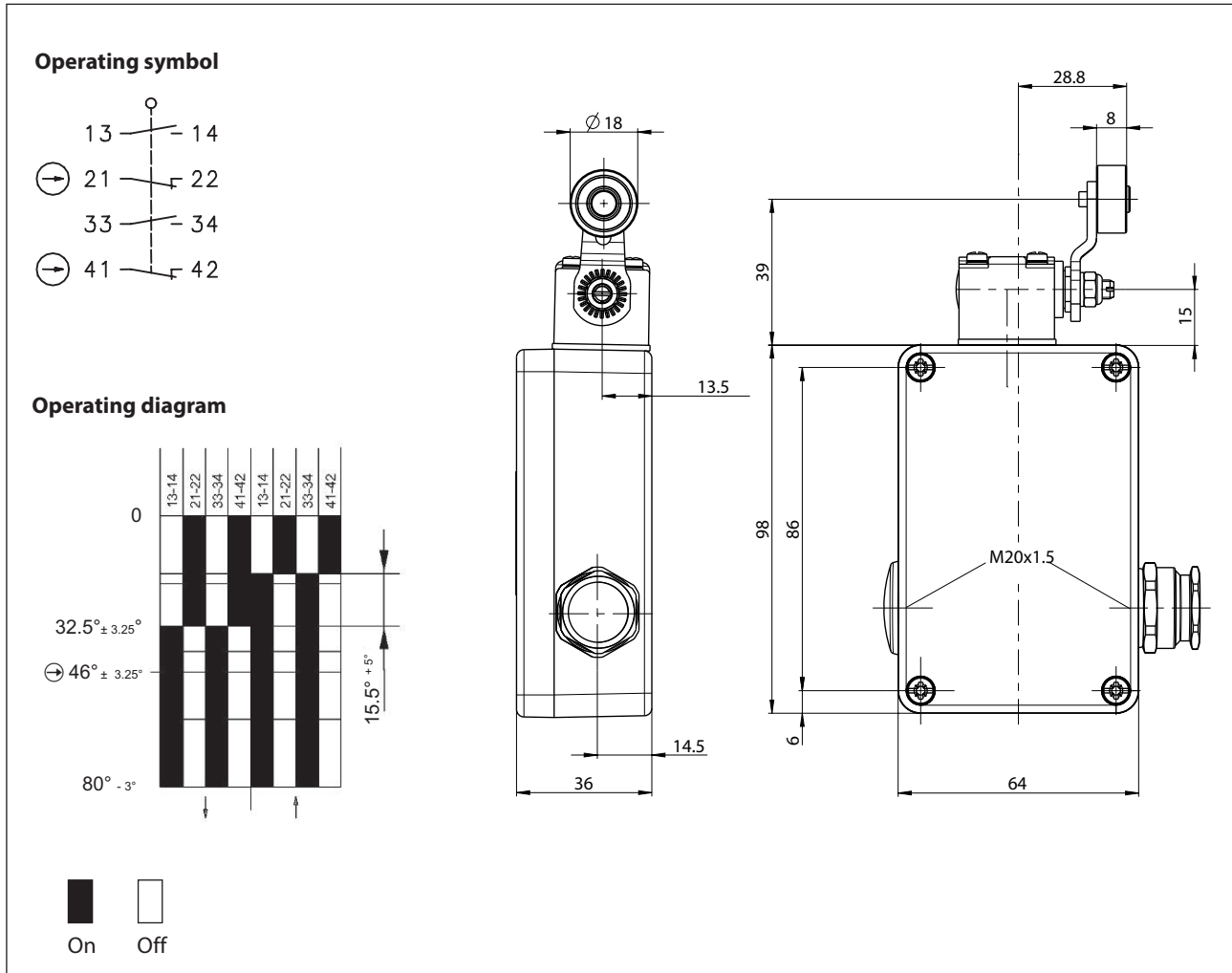


Metal bodied limit switch Series BCM

Description **BCM-080-SU2Z AH 270GR**

Article number **617000021**



Electrical Data

Rated insulation voltage	U_i	400 V AC
Conv. thermal current	I_{the}	10 A
Rated operational voltage	U_e	240 V
Utilization category		AC-15, U_e/I_e 240 V / 3 A
Direct opening action	\ominus	acc. to IEC/EN 60947-5-1, annex K
Short-circuit protective device		Fuse 2 A gG
Protection class		I

Mechanical data	
Enclosure	Die-cast aluminium
Cover	Die-cast aluminium
Actuator	Turret head (Zn-die cast), roller (thermoplastic)
Ambient air temperature	-30 °C ... +80 °C
Contact type	2 NC, 2 NO (Zb)
Mechanical life	1 x 10 ⁷ operating cycles
Switching frequency	≤ 100 / min.
Assembly	2 x M4
Connection	8 screw connections (M3,5)
Conductor cross-sections	Solid: 0,5 ... 1,5 mm ² or Litz wire with cable lugs: 0,5 ... 1,5 mm ²
Cable entrance	2 x M20x1,5 (1 x cable gland (clamping rang 8 mm - 13,5 mm))
Weight	≈ 0,38 kg
Installation position	operator definable
Protection type	IP65 acc. to IEC/EN 60529

Standards	
	DIN EN 60947-1, IEC 60947-1
	DIN EN 60947-5-1, IEC 60947-5-1

EU Conformity	
	acc. to directive 2014/35/EU (Low-Voltage-Directive)

Notes	
The specified protection classification (IP code) applies only when the cover is closed and the appropriate cable is used, in accordance with the clamping range of the above mentioned cable gland.	