



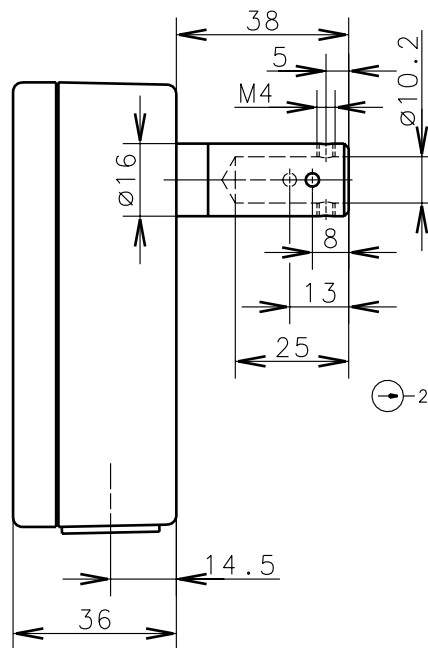
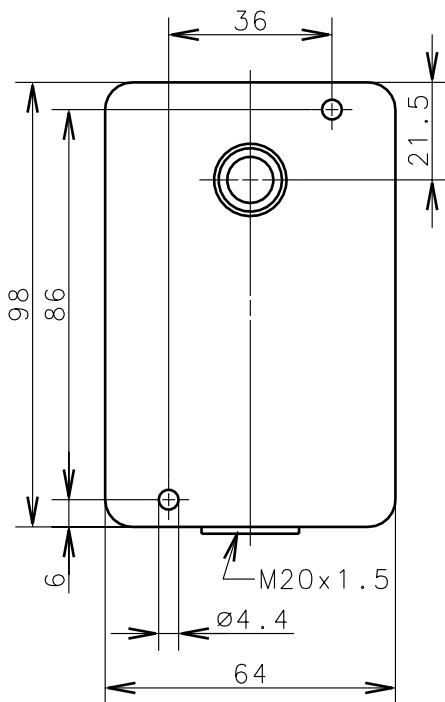
Bernstein

Bernstein AG
Postfach 1164
D-32437 Porta Westfalica

Technical data sheet

BCM-080-U1Z AT

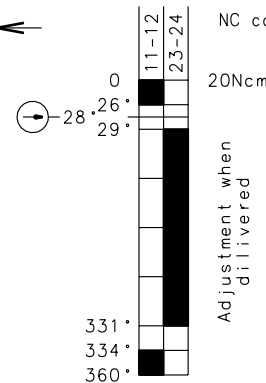
617.0000.016



Positive opening operation according to DIN EN 60947-5-1 IEC 60947-5-1



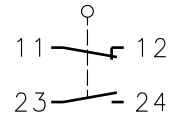
On Off



NC contact adjustable 23°-35°

20Ncm

Adjustment when delivered



Switching diagram

Switching symbol

Diagram applicable for both directions (rotation to left or right)

Tolerance: operating torque ±10%

Schutzvermerk nach DIN 34 beachten
Copyright reserved

29.08.2003

Mechanical features

| | |
|------------|---------------|
| Enclosure: | Al-die cast |
| Cover: | Al-die cast |
| Actuator: | Shaft (steel) |

| | |
|--------------------------|---------------------------------|
| Ambient air temperature: | -30°C up to +80°C |
| Contact type: | 1 NC-contact, 1 NO-contact (Zb) |

| | |
|-------------------|--------------------------------------|
| Mechanical life: | 10x10 ⁶ switch operations |
| Switch frequency: | max. 2/min |
| Mounting: | 2 x M4 |
| Connection type: | 4 screw connections (M3.5) |
| Cable entry size: | 1xM20x1.5 |
| Weight: | approx. 0,33kg |

Electrical features

| | |
|-----------------------------|---|
| Max. voltage: | 500 V AC |
| Max. enduring current: | 1 th 10A |
| Max. inrush current: | according to IEC 947-5-1, AC 15, DC 13 |
| Standards: | according to EN 60204; EN 60947-1; EN 60947-5-1 |
| Protection class (IP-Code): | IP65 according to EN 60529; DIN VDE 0470 T1 |
| Short-circuit protection: | Fuse 10A gL/gG, IEC/EN 60947-5-1, appendix K |

Approach possibilities

Device can be actuated in both directions. For safety reasons any movement of the guard's cam has to be transferred directly to the switch cam.

Remarks

The moving parts should be oiled periodically.
The planned protection class (IP-Code) is valid only at closed cover and when using an at least equivalent cable gland.