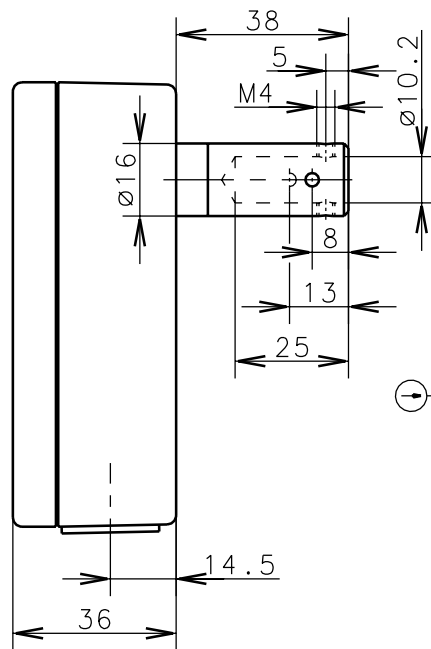
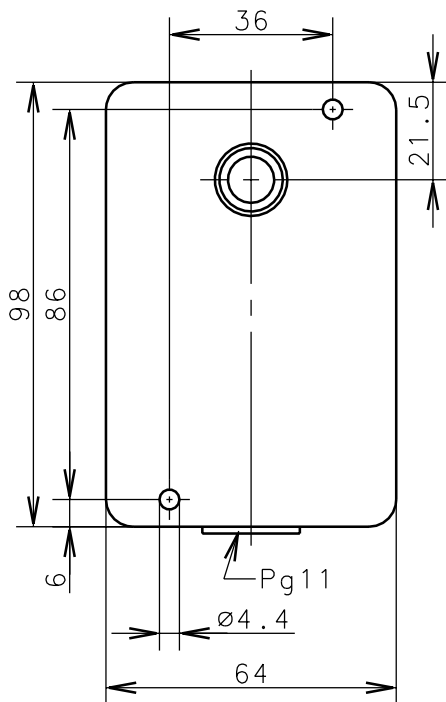


**Bernstein**Bernstein AG
Postfach 1164
D-32437 Porta Westfalica**Technical data sheet**

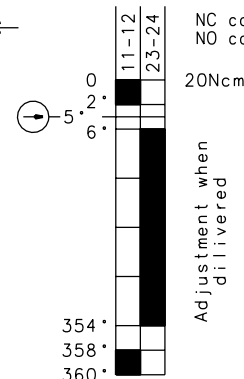
BCM-080-U1Z AT 617.0000.014



Positive opening operation according to DIN EN 60947-5-1 IEC 947-5-1

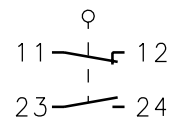


On Off



NC contact adjustable 2°-14°; NO contact accordingly 6°-23°.

Adjustment when delivered



Switching diagram

Switching symbol

Diagram applicable for both directions (rotation to left or right)

Tolerance: operating torque ±10%

Schutzvermerk nach DIN 34 beachten
Copyright reserved

23.01.2001

Mechanical features

Enclosure: Al-die cast
 Cover: Al-die cast
 Actuator: Shaft (steel)

Ambient air temperature: -30°C up to +80°C
 Contact type: 1 NC-contact, 1 NO-contact (Zb)

Mechanical life: 10x10⁶ switch operations
 Switch frequency: max. 2/min
 Mounting: 2 x M4
 Connection type: 4 screw connections (M3.5)
 Cable entry size: 1 x Pg11
 Weight: approx. 0,33kg

Electrical features

Max. voltage: 500 V AC
 Max. enduring current: 1 th 10A
 Max. inrush current: according to IEC 947-5-1, AC 15, DC 13
 Standards: according to EN 60204; EN 60947-1; EN 60947-5-1
 Protection class (IP-Code): IP65 according to EN 60529; DIN VDE 0470 T1
 Short-circuit protection: Fuse 10A gL/gG, IEC/EN 60947-5-1, appendix K

Approach possibilities

Device can be actuated in both directions. For safety reasons any movement of the guard's cam has to be transferred directly to the switch cam.

Remarks

The moving parts should be oiled periodically.
 The planned protection class (IP-Code) is valid only at closed cover and when using an at least equivalent cable gland.