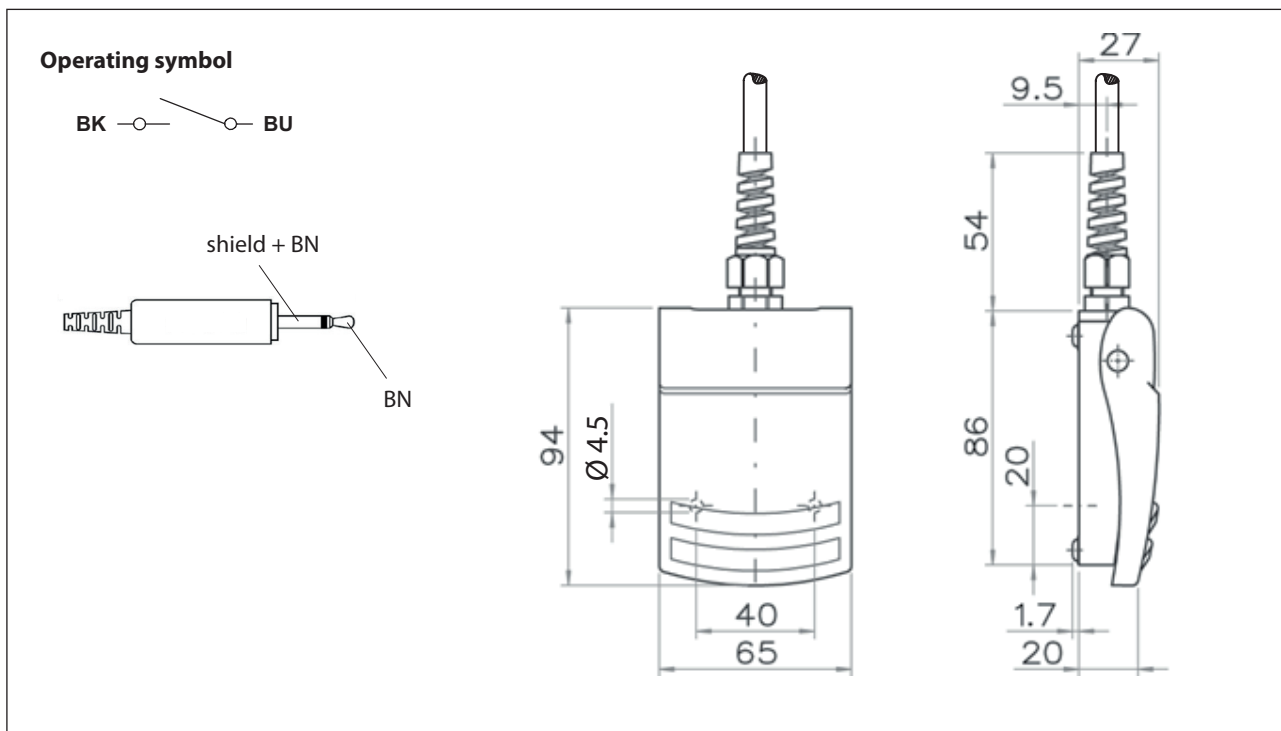


## Foot-switch Series KFM1

Description **KFM1-SE1 RT**

Article number **6169100006**



### Electrical data

Rated operational current	$I_e$	0,1 A
Rated operational voltage	$U_e$	24 V DC
Protection class		II, fully insulated

<b>Mechanical Data</b>	
Enclosure	PA6.6 glass fibre reinforced, black
Actuator	Foot lever PA6.6 glass fibre reinforced, red
Ambient air temperature	-20 °C ... +80 °C
Contact type	1 NO
Mechanical life	1 x 10 <sup>6</sup> switching cycles
Connection	2 x AWG 24 UL/CSA shielded, PVC black, 2,7m; with 2 pole plug connector
Plug connector	3,5mm jack plug (full metal)
Cable entry size	1 x cable gland M12 x 1,5 with bend protection
Protection type	IP 65 acc. to IEC/EN 60529

<b>Standards</b>	
	IEC/EN 60204
	IEC/EN 60947-5-1

<b>EU Conformity</b>	
	<b>CE</b>

<b>Notes</b>	
The degree of protection (IP code) specified applies only to a properly closed cover.	