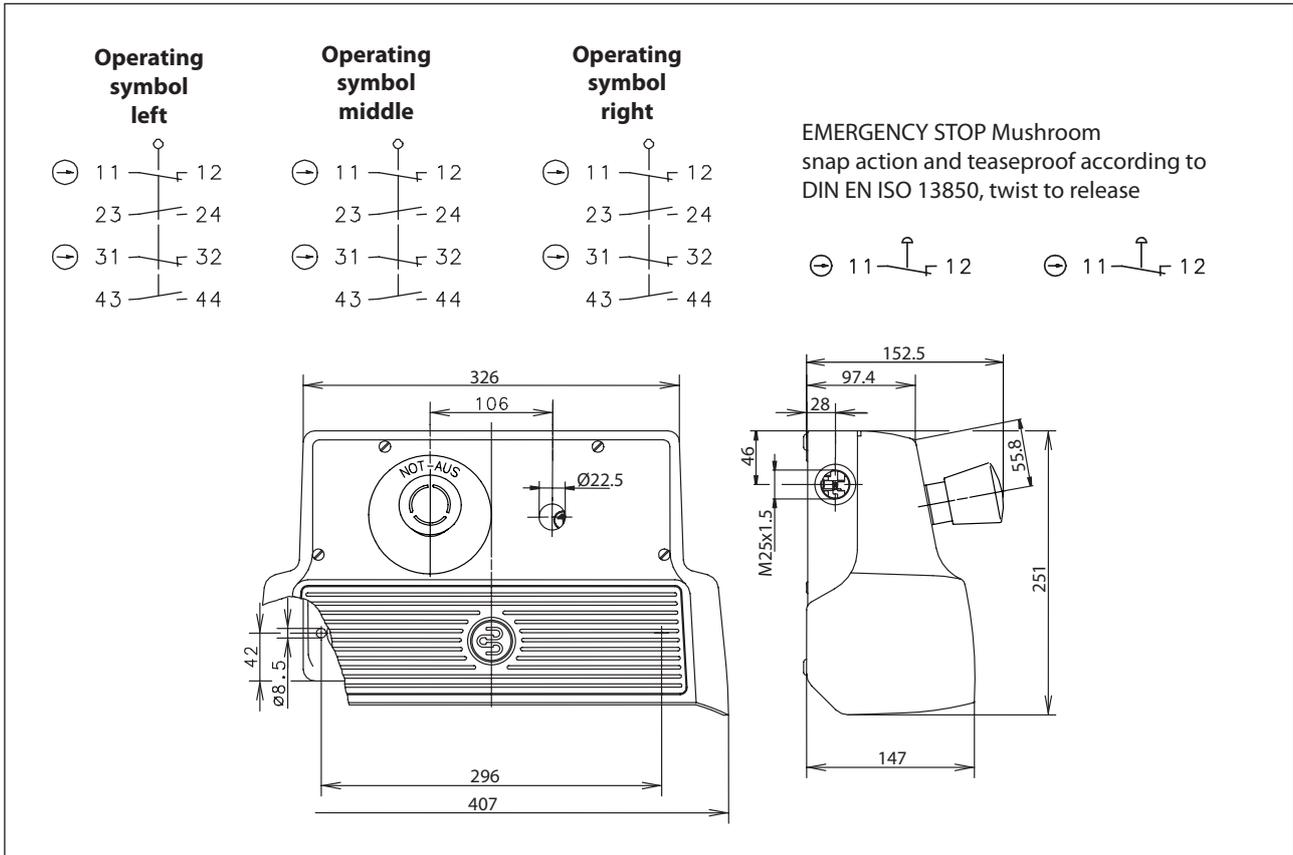


Foot-switch

Series F3 UN

Description **F3-U2Z/U2Z/U2Z NA2 UN**

Article number **6163722787**



Electrical Data			
		Contact	Emergency stop
Rated insulation voltage	U_i	400 V AC	500 V AC
Conv. thermal current	I_{the}	10 A	10 A
Rated operational voltage	U_e	240 V	230 V
Utilization category		AC-15, U_e / I_e 240 V AC / 3 A	AC-15 U_e / I_e 230 V AC / 6 A
Direct opening action	\rightarrow	acc. to IEC/EN 60947-5-1, annex K	
Short-circuit protective device		Fuse 10 A gG	
Protection class		I (referred to the complete foot-switch)	

Mechanical data	
Enclosure	AL
Protective guard (Accident protection cover UN)	AL, RAL9005 (jet black)
Actuator	Foot lever (PA)
Ambient air temperature	-25 °C ... +70 °C
Contact type	6 NC, 6 NO (Zb)
Operating force	≈ 10 N (pedal centre)
Mechanical life:	Built-in switch 10 x 10 ⁶ operating cycles Emergency stop 3 x 10 ⁵ operating cycles
Switching frequency	max. 30 / min
Assembly	2 x M8
Connection	screw terminals (M3,5)
Number of connections	24
Protection ground	2 x M4
Conductor cross-sections built-in switch	Solid: 0,5 ... 1,5 mm ² Litz wire with ferrules: 0,5 ... 1,5 mm ²
Conductor cross-sections emergency stop	2 x 1,0 – 1,5 mm ² Litz wire with ferrules: 2 x 0,5 – 1,5 mm ²
Cable entrance	2 x M20 x 1,5
Weight	≈ 5,8 kg
Protection type	IP65 acc. to IEC/EN 60529, when the Ø22.5 mm hole in the protective guard is closed.

Standards
DIN EN 60947-5-1

EU Conformity
acc. to directive 2014/35/EU (Low-Voltage-Directive)

Notes
<p>Unused thread hole and the hole in the cover must be permanently closed with blind plugs. The degree of protection (IP code) specified applies only to a properly closed protective guard and in connection with the appropriate cable glands or blind plugs.</p>