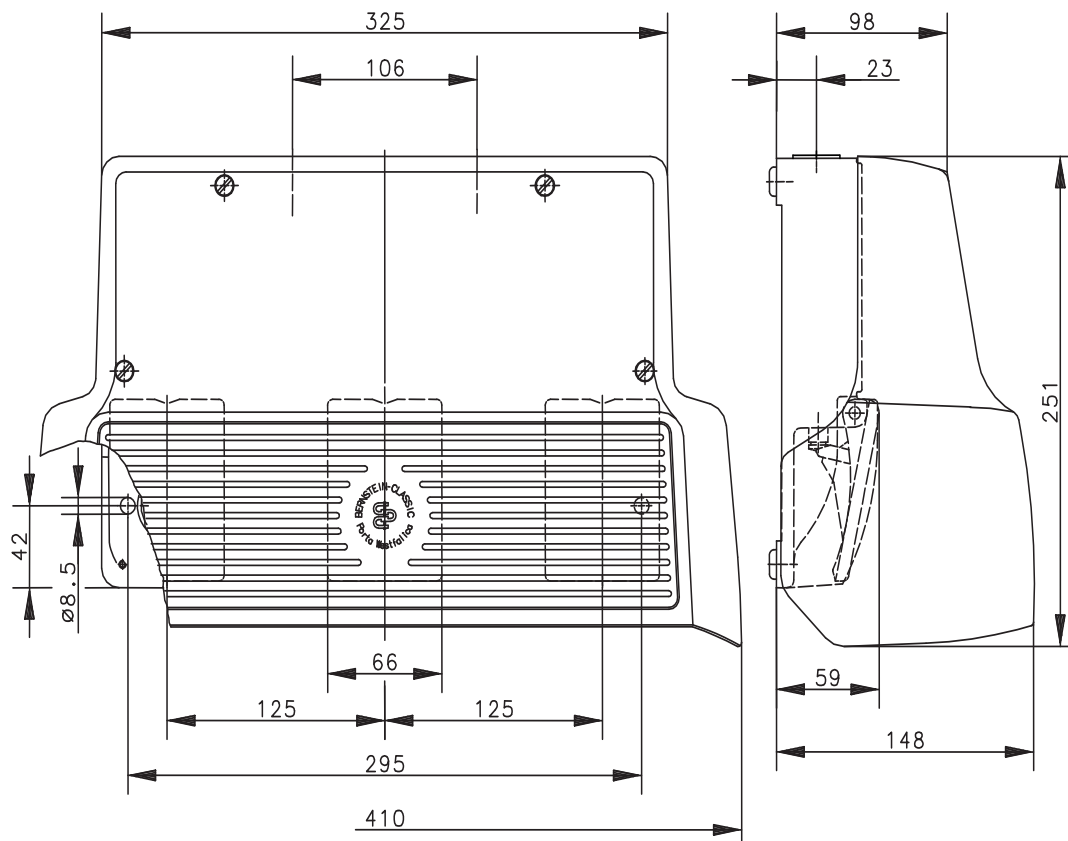
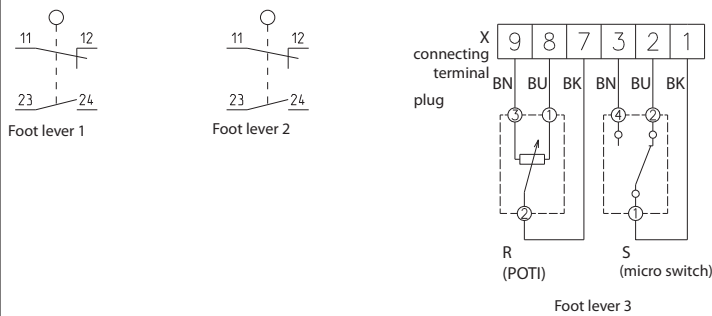


Foot-switch Series F3 UN

Description **F3-U1Z/U1Z/RG UN**

Article number **6163613791**

Operating symbol



Electrical Data		Pedal left and middle
Rated insulation voltage	U_i	400 V AC
Conv. thermal current	I_{the}	10 A
Rated operational voltage	U_e	240 V
Utilization category		AC-15, U_e 240 V / I_e 3 A
Direct opening action	⊖	acc. to IEC/EN 60947-5-1, annex K
Short-circuit protective device		Fuse 10 A gG

Electrical data		Pedal right	
		Microswitch	Potentiometer
Rated current	I	5 A	-
Contact current	I	-	< 0,1 μ A
Load	P	-	0,5 W/40 °C
Rated insulation voltage	U_i	250 V AC	-
Rated voltage	U_{max}	250 V AC	$\sqrt{P_{xR}}$ [V]
Ferrule resistor	R	-	10 k Ω \pm 20 %
Short-circuit protective device		-	Fuse F 10 mA
Protection class		I (referred to the complete foot-switch)	

Mechanical data		
Enclosure		AL (RAL 9005)
Protective guard (Accident protection cover UN)		AL (RAL 5002, ultramarine blue)
Actuator		Foot lever (PA)
Ambient air temperature		-25 °C ... +80 °C
Contact type	Pedal left Pedal middle Pedal right	1 NC, 1 NO (Zb) 1 NC, 1 NO (Zb) 1 Change-over, 1 Potentiometer (10 k Ω)
Operating force		\approx 10 N (pedal centre)
Mechanical life		10 x 10 ⁶ operating cycles 5 x 10 ⁵ rotation cycles (Potentiometer)
Switching frequency		max. 20 / min
Assembly		2 x M8
Connection	Pedal left Pedal middle Pedal right	4 x screw terminals (M3,5) 4 x screw terminals (M3,5) 3 solder joint connections, 6 screw connection terminals
Protection ground		2 x M4
Conductor cross-sections	Pedal left, middle Pedal right	Solid: 0,5 ... 1,5 mm ² or Litz wire with ferrules: 0,5 ... 1,5 mm ² Solid: \leq 1 mm ² Litz wire with and without ferrules: \leq 1 mm ²
Cable entrance		2 x M20 x 1,5
Weight		\approx 7 kg
Protection type		IP65 acc. to IEC/EN 60529

Standards	
	VDE 0660 T100, DIN EN 60947-1, IEC 60947-1
	VDE 0660 T200, DIN EN 60947-5-1, IEC 60947-5-1
Microswitch	DIN EN 61058-1 (VDE 0630 Teil 1) : 2008-09

EU Conformity

acc. to directive 2014/35/EU (Low-Voltage-Directive)

Notes

Tapped holes not in use must be closed with blind plugs.
The degree of protection (IP code) specified applies only to a properly closed protective guard and in connection with the appropriate cable glands or blind plugs.