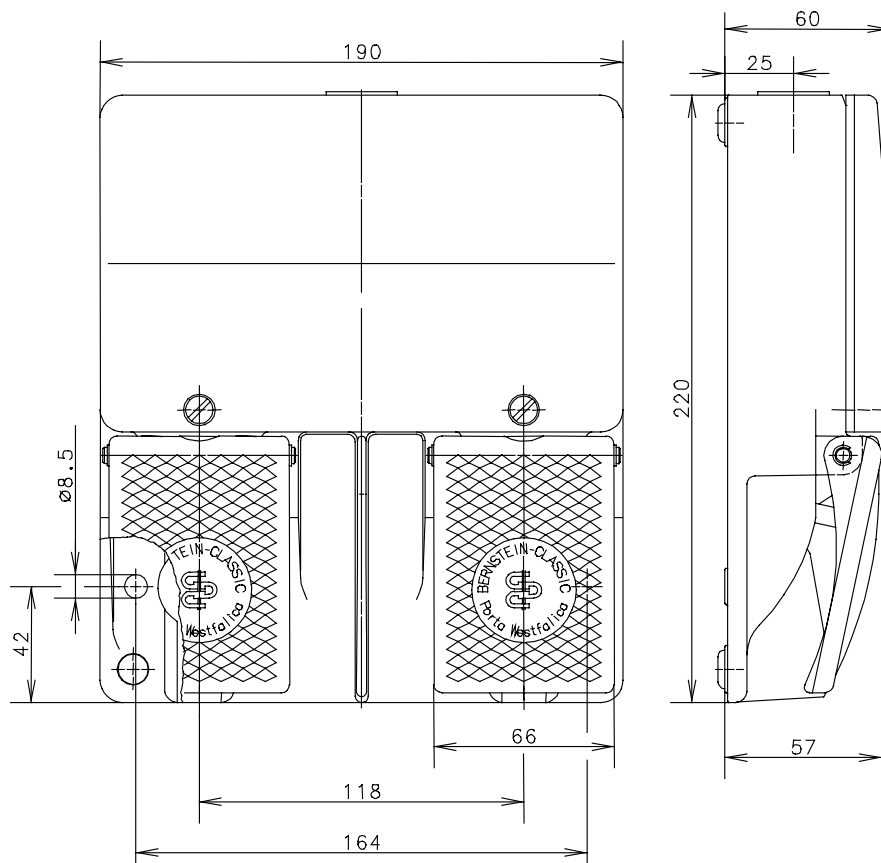


Foot-switch
Series F2

Description **F2-SU2MIRG/SU2MIRG**

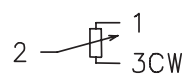
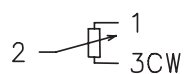
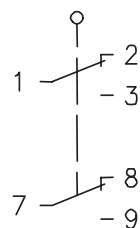
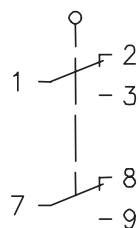
Article number **6162440805**



Operating symbol

Pedal left

Pedal right



Electrical data			
		Microswitch	Potentiometer
Rated current	I	5 A	-
Contact current	I	-	max. 100 mA
Load	P	-	2 W / 70 °C
Rated voltage	U	250 V AC	$U_{max} = \sqrt{P \times R}$
Ferrule resistor	R	-	10 K ± 10 %
Short-circuit protective device		Fuse 2 A gG	-
Protection class		I	

Mechanical data			
Enclosure		AL	
Cover		AL	
Actuator		2 pedals (thermoplastic)	
Ambient air temperature		-25 °C to +80 °C	
Contact type		4 changeover	
Operating force		ca. 10 N (pedal centre)	
			Potentiometer
Mechanical life		10x10 ⁶ operations	5x10 ⁴ rotation cycles
Switching frequency		max. 20 operating cycles/min	
Assembly		2 screws M8	
Connection	Microswitch	connecting terminal M2	
	Potentiometer	2,8 x 0,5	
Number of connections	Microswitch	6 each pedal	
	Potentiometer	8 each pedal	
Conductor cross-sections	Microswitch	Solid: ≤ 1 mm ² Litz wire with or without ferrules: ≤ 1 mm ²	
Protection ground		2 x M4	
Cable entrance		1 x M20 x 1,5	
Weight		≈ 1,6 kg	
Protection type		IP67 acc. to IEC/EN 60529	

Standards	
	VDE 0660 T100, DIN EN 60947-1, IEC 60947-1
	VDE 0660 T200, DIN EN 60947-5-1, IEC 60947-5-1
Micro switch	DIN EN 61058-1 (VDE 0630 Teil 1)

EU Conformity	
	acc. to directive 2014/35/EU (Low-Voltage-Directive)

Notes	
The degree of protection (IP code) specified applies only to a properly closed cover and in connection with the appropriate cable glands or blind plugs.	