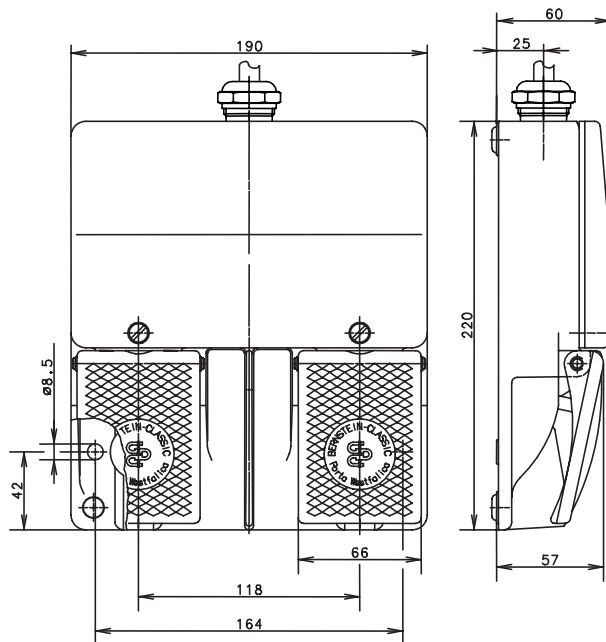
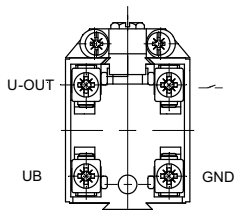
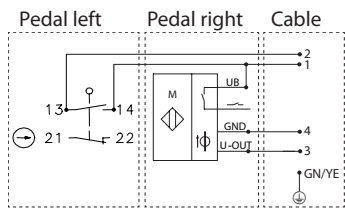


Foot-switch Series F2

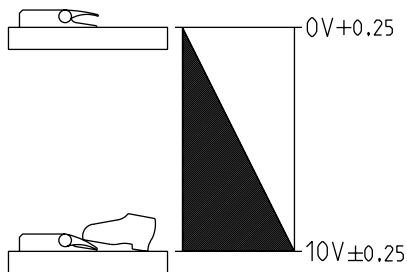
Description **F2-SU1Z/AU0-10V**

Article number **6162350795**

Operating symbol



Characteristic for pedal right



On
 Off

Electrical data	
Protection class	I
Pedal left	
Rated insulation voltage	U_i 400 V AC
Conv. thermal current	I_{the} 10 A
Rated operational voltage	U_e 240 V
Utilization category	AC-15, U_e 240 V / I_e 3 A
Direct opening action	⊕ acc. to IEC/EN 60947-5-1, annex K
Short-circuit protective device	Fuse 2 A gG
Switching element function	1 NC, 1 NO (Zb)
Pedal right	
Rated operating voltage range	U_b 12 - 26 V DC
Idle current	I_o < 25 mA
Short-circuit protection type switching element	synchronising, permanently short-circuit and overload protected
Reverse polarity	yes
Readiness delay	t_v < 50 ms
Analogue output	
Voltage output (control range)	0 – 10 V
Linearity errors max.	± 2,5 % from the end value (10 V), U_b and temperature at a constant level
Temperature errors max.	± 10 % U_b constant level
Repetition accuracy	R ≤ 2 % from the end value (10 V), U_b and temperature at a constant level
min. Load resistance	R_{L2} 2 kΩ
Switching output	
switching element function	S PNP NO (teachable)
Hysteresis	H ≈ 10 %
Voltage drop	U_d ≤ 1,6 V
Utilization category	DC 12
Rated operational currents	I_e 200 mA
Minimum operating current	I_m 1 mA
Residual current	I_r < 0,1 mA

Mechanical data	
Enclosure	AL, die-cast
Cover	AL, die-cast; RAL 7035 (lightgrey)
Actuator	Foot lever (PA)
Ambient air temperature	-30 °C ... +80 °C, cable occasionally moves - 5 °C ... +70 °C, fixed cable
Operating force	≈ 10 N (pedal centre)
Mechanical life	10 x 10 ⁶ operating cycles
Switching frequency	max. 50 / min
Assembly	2 x M8
Connection	Cable 5 x 1,5 mm ² x 3700 ±5 %, PUR with insulated wire end ferrules, acc. to DIN 46228 T4, 8 mm
Protection ground	2 x M4
Cable entrance	1 x cable gland M20 x 1,5 MS
Weight	≈ 2,2 kg
Protection type	IP65 acc. to IEC/EN 60529

Standards	
	VDE 0660 T100, DIN EN 60947-1, IEC 60947-1
	VDE 0660 T200, DIN EN 60947-5-1, IEC 60947-5-1
	EN 60947-5-7

EU Conformity ¹⁾	
	acc. to directive 2014/30/EU (EMC-Directive)
	acc. to directive 2014/35/EU (Low-Voltage-Directive)

Notes	
<p>Tapped holes not in use must be closed with blind plugs. The degree of protection (IP code) specified applies only to a properly closed cover and in connection with the appropriate cable glands or blind plugs.</p> <p>¹⁾To be conform with the EMV guideline (2014/30/EU) a shielded connection cable has to be used.</p>	