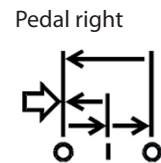
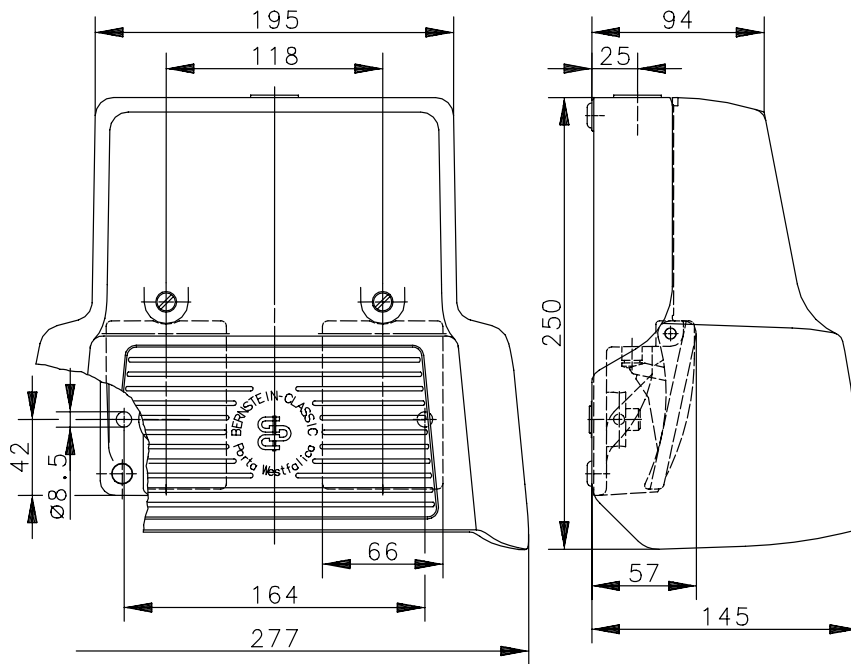


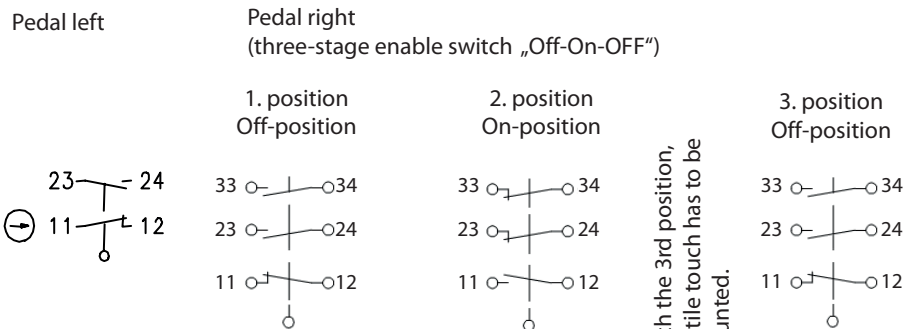
Foot-switch Series F2 UN

Description **F2-U1Z/ZSD UN**

Article number **6162000807**

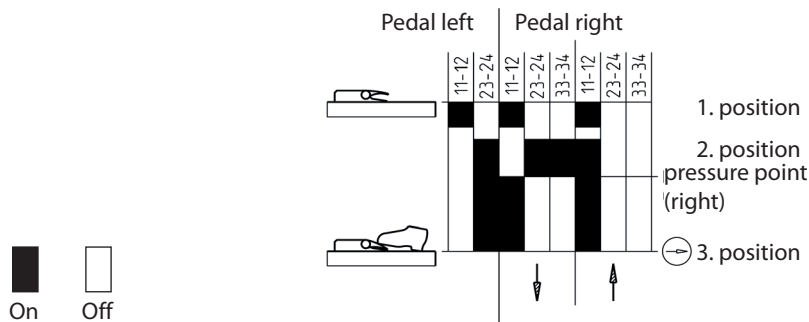


Switching symbol



To reach the 3rd position, the tactile touch has to be surmounted.

Operating diagram



Electrical data		
Rated insulation voltage	U_i	250 V AC
Conv. thermal current	I_{the}	5 A
Rated impulse withstand voltage	U_{imp}	2,5 KV
Rated operational voltage	U_e	240 V and 24 V DC
Utilization category		AC-15, U_e / I_e 240 V AC / 1,5 A 50-60 Hz DC-13, U_e / I_e 24 V DC / 1,0 A
Direct opening action	⊖	acc. to IEC/EN 60947-5-1, Annex K
Short-circuit protective device		D-Fuse 4 A gG
Protection class		I

Mechanical data		
Enclosure		AL, die-cast
Protective guard (Accident protection cover UN)		AL, die-cast (RAL5002)
Actuator		Foot lever (PA)
Ambient air temperature		Operating temperature range: -10 °C to +50 °C Storage temperature range: -25 °C to +70 °C
Contact type (left pedal) (right pedal)		1 NC, 1 NO. (Zb) 1 NC, 2 NO. (Zb)
Operating force (pedal centre) (left pedal) (right pedal) 1. position 2. position		10 N 10 N 25 N
Pressure point (right pedal)		≈ 200 N
Mechanical life (left pedal) Sequence of the switching position(right Pedal): 1 – 2 – 1 or: 1 – 2 – 3 – 1		10 x 10 ⁶ operating cycles 10 x 10 ⁶ operating cycles 1 x 10 ⁶ operating cycles
Switching frequency (left pedal) (right pedal)		max. 50/min max. 30/min
Assembly		2 x M8
Connection		screw connections (M3,5)
Number of connection		10
Protection ground		2 x M4
Conductor cross-sections		Solid: 0,5 – 1,5 mm ² Litz wire with ferrules: 0,5 – 1,5 mm ²
Cable entrance		1 x M20 x 1,5
Weight		≈ 2,3 kg
Protection type		IP67 in accordance with IEC/EN 60529

ID for safety engineering		
B10d		
Sequence of the switching position: 1 – 2 – 1 or: 1 – 2 – 3 – 1		10 x 10 ⁶ cycles 1 x 10 ⁶ cycles

Regulations	
	VDE 0660 T100, DIN EN 60947-1, IEC 60947-1
	VDE 0660 T200, DIN EN 60947-5-1, IEC 60947-5-1
	DIN EN 61326-3-1
	DIN EN ISO 13849-1

EU Conformity
acc. to directive 2014/35/EU (Low-Voltage-Directive)

Approvals
cUL _{US}

Function (right pedal)
<p>Normally open contacts: 23 – 24, 33 – 34; Signalling contact: 11 – 12</p> <ul style="list-style-type: none"> • Position 1: OFF position of the operating contacts (the pedal is not actuated) • Position 2: ON position of the operating contacts (the pedal is actuated to as far as the pressure point) • Position 3: OFF position of the operating contacts (the pedal is fully actuated) <p>If the three-stage enable switch is actuated in position 2, it returns to position 1 when it is released. The three-stage enable switch changes from position 2 to position 3, if it gets further pressed unter after the resistance of the pressure point.</p> <p>The actuation of the operating contacts is made by a positive opening.</p> <p>Once the pedal is not pressed, the three-stage enable switch returns to position 1.</p> <p>The operating contacts are opened in the return stroke.</p>

Notes
The specified protection classification (IP code) applies only when the cover is closed and the appropriate cable is used, in accordance with the clamping range of the above mentioned cable gland.