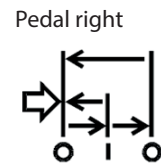
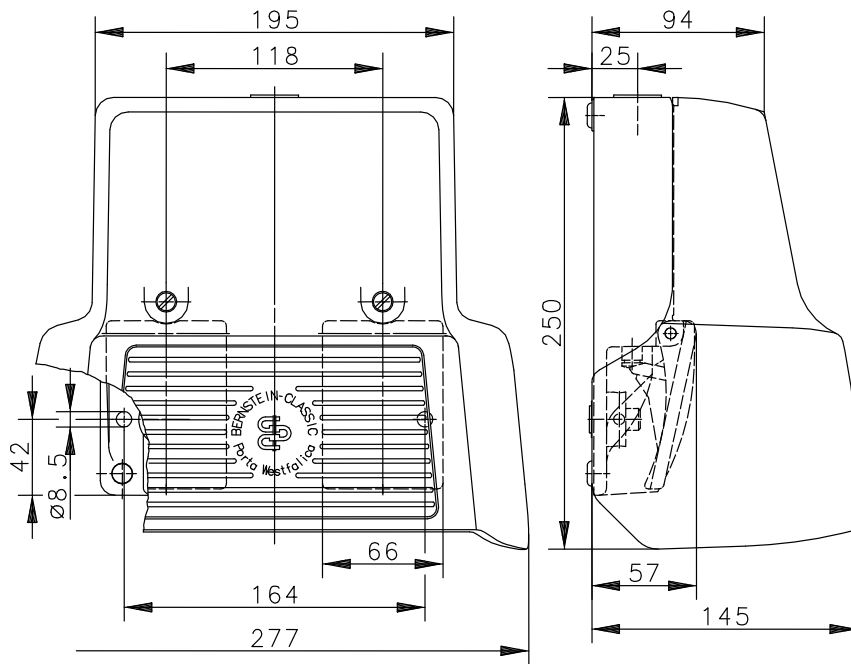


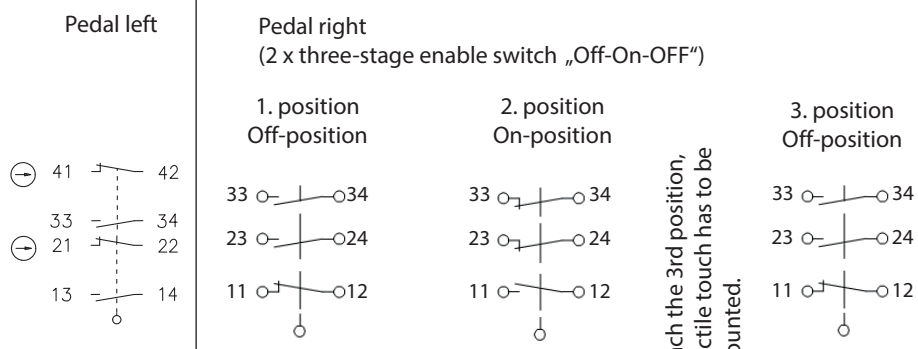
Foot-switch Series F2 UN

Description **F2-SU2Z/ZSZSD UN**

Article number **6162000765**

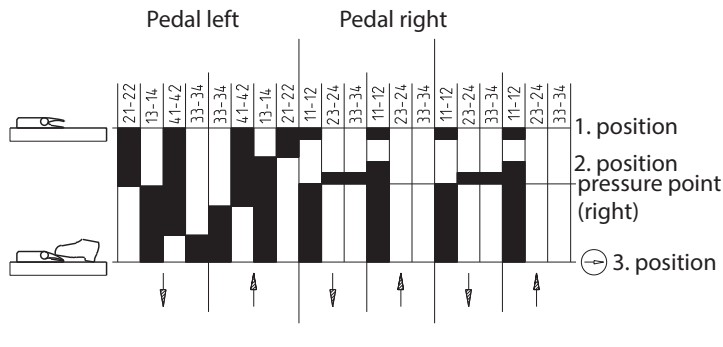


Switching symbol



Operating diagram

To reach the 3rd position, the tactile touch has to be surmounted.



Electrical data		Pedal left	Pedal right
Rated insulation voltage	U_i	250 V AC	250 V AC
Conv. thermal current	I_{the}	10 A	5 A
Rated impulse withstand voltage	U_{imp}	-	2,5 KV
Rated operational voltage	U_e	240 V	240 V and 24 V DC
Utilization category		AC-15, U_e / I_e 240 V AC / 3 A	AC-15, U_e / I_e 240 V AC / 1,5 A 50-60 Hz DC-13, U_e / I_e 24 V DC / 1,0 A
Direct opening action	⊖	acc. to IEC/EN 60947-5-1, Annex K	acc. to IEC/EN 60947-5-1, Annex K
Short-circuit protective device		Fuse 2 A gG	D-Fuse 4 A gG
Protection class		I	I

Mechanical data	
Enclosure	AL, die-cast
Protective guard (Accident protection cover UN)	AL, die-cast
Actuator	Foot lever (PA)
Ambient air temperature	Operating temperature range: -10 °C to +50 °C Storage temperature range: -25 °C to +70 °C
Contact type (left pedal) (right pedal)	2 NC, 2 NO. (Zb) 2 x three-stage enable switch each 1 NC, 2 NO. (Zb)
Contacts	fine gold-plated (Our guideline values are valid for the gold-plated switch contacts.)
Operating force (pedal centre) (left pedal) (right pedal) 1. position 2. position	10 N 10 N 25 N
Pressure point (right pedal)	≈ 200 N
Mechanical life (left pedal) Sequence of the switching position(right Pedal): 1 – 2 – 1 or: 1 – 2 – 3 – 1	10 x 10 ⁶ operating cycles 1 x 10 ⁶ operating cycles 1 x 10 ⁶ operating cycles
Switching frequency (left pedal) (right pedal)	max. 50/min max. 30/min
Assembly	2 x M8
Connection	screw connections (M3,5)
Number of connection	20
Protection ground	2 x M4
Conductor cross-sections	Solid: 0,5 – 1,5 mm ² Litz wire with ferrules: 0,5 – 1,5 mm ²
Cable entrance	1 x M25 x 1,5
Weight	≈ 2,3 kg
Protection type	IP67 in accordance with IEC/EN 60529

ID for safety engineering		
	Pedal left	Pedal right
B10d	20 x 10 ⁶	Sequence of the switching position: 1 – 2 – 1 1 x 10 ⁶ cycles or: 1 – 2 – 3 – 1 1 x 10 ⁶ cycles

Regulations	
	VDE 0660 T100, DIN EN 60947-1, IEC 60947-1
	VDE 0660 T200, DIN EN 60947-5-1, IEC 60947-5-1
	DIN EN 61326-3-1
	DIN EN ISO 13849-1

EU Conformity	
	acc. to directive 2006/95/EC

Function (right pedal)	
Normally open contacts: 23 – 24, 33 – 44; Signalling contact: 11 – 12	
<ul style="list-style-type: none"> • Position 1: OFF position of the operating contacts (the pedal is not actuated) • Position 2: ON position of the operating contacts (the pedal is actuated to as far as the pressure point) • Position 3: OFF position of the operating contacts (the pedal is fully actuated) 	
If the three-stage enable switch is actuated in position 2, it returns to position 1 when it is released. The three-stage enable switch changes from position 2 to position 3, if it gets further pressed unter after the resistance of the pressure point.	
The actuation of the operating contacts is made by a positive opening.	
Once the pedal is not pressed, the three-stage enable switch returns to position 1.	
The operating contacts are opened in the return stroke.	

Notes	
The specified protection classification (IP code) applies only when the cover is closed and the appropriate cable is used, in accordance with the clamping range of the above mentioned cable gland.	