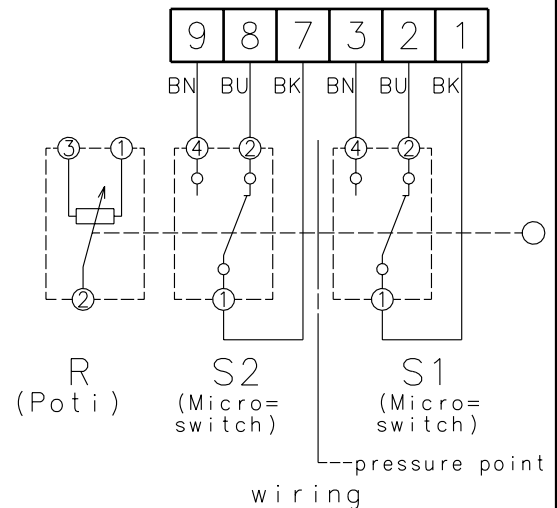
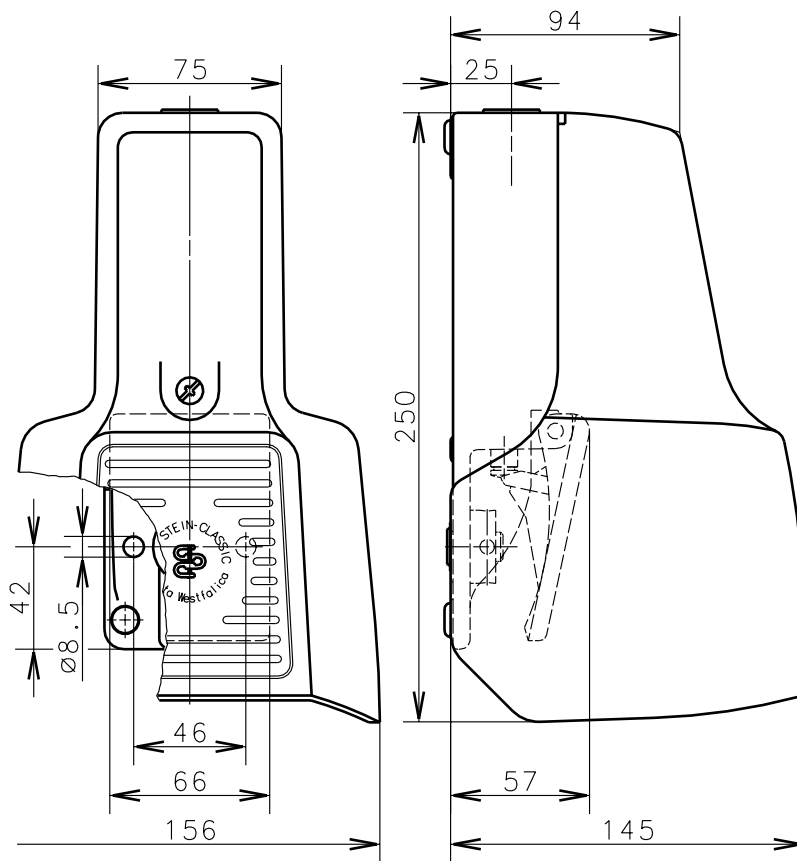


**Bernstein**Bernstein AG
Postfach 1164
D-32437 Porta Westfalica**Technical data sheet****F1-SU2 Mi RG 5K2W UN****616.1900.629**

The NO contact of the microswitch S1 close when the potentiometer starts his function.
The NO contact of the microswitch S2 close after the pressure point.

 Schutzvermerk nach DIN 34 beachten
Copyright reserved
Mechanical features

Enclosure: Al-die cast
Protective guard: Al-die cast
Actuator: Foot lever

Ambient air temperature: -25°C up to +80°C
Contact type: 2 changer-over (C), potentiometer: 5KOhm

Mechanical life: Microswitches: 10×10^6 switch operations; Potentiometer: 5000 cycles
Switch frequency: max. 20/min
Mounting: without mounting or 2xM8
Connectoin type: litz wire with connector sleeve max. AWG 18 (1,0mm²)
Cable entry size: 1 x M20x1,5
Weight: approx. 0,75kg

Electrical features

Microswitches:	according to IEC 1058-1	Potentiometer:
Max. voltage:	250 V AC	100 V AC/DC
Max. enduring current:	1 th 5A	P=2W/70°C
Max. inrush current:	according to IEC 947-5-1, AC 15	I _{max} 100mA
Standards:	according to VDE 0660, 0113, IEC 947-5-1	-
Protection class:	IP65 according to IEC 529:1989, EN 60529, DIN VDE 0470 T1	-
Short circuit protection:	5A quick-acting	100mA quick-acting

Remarks

The moving parts should be oiled periodically.
For the cable entry use jacks with threads and suitable sealing compound.
Not used tapped holes must be closed with pegs and gasket. The lid screw should only be tightened hand tight. The earthing connection must be made with ring eyes or a ring terminal.

The rated protection class (IP-Code) is valid only at closed cover and when using an at least equivalent cable gland.

05.02.03