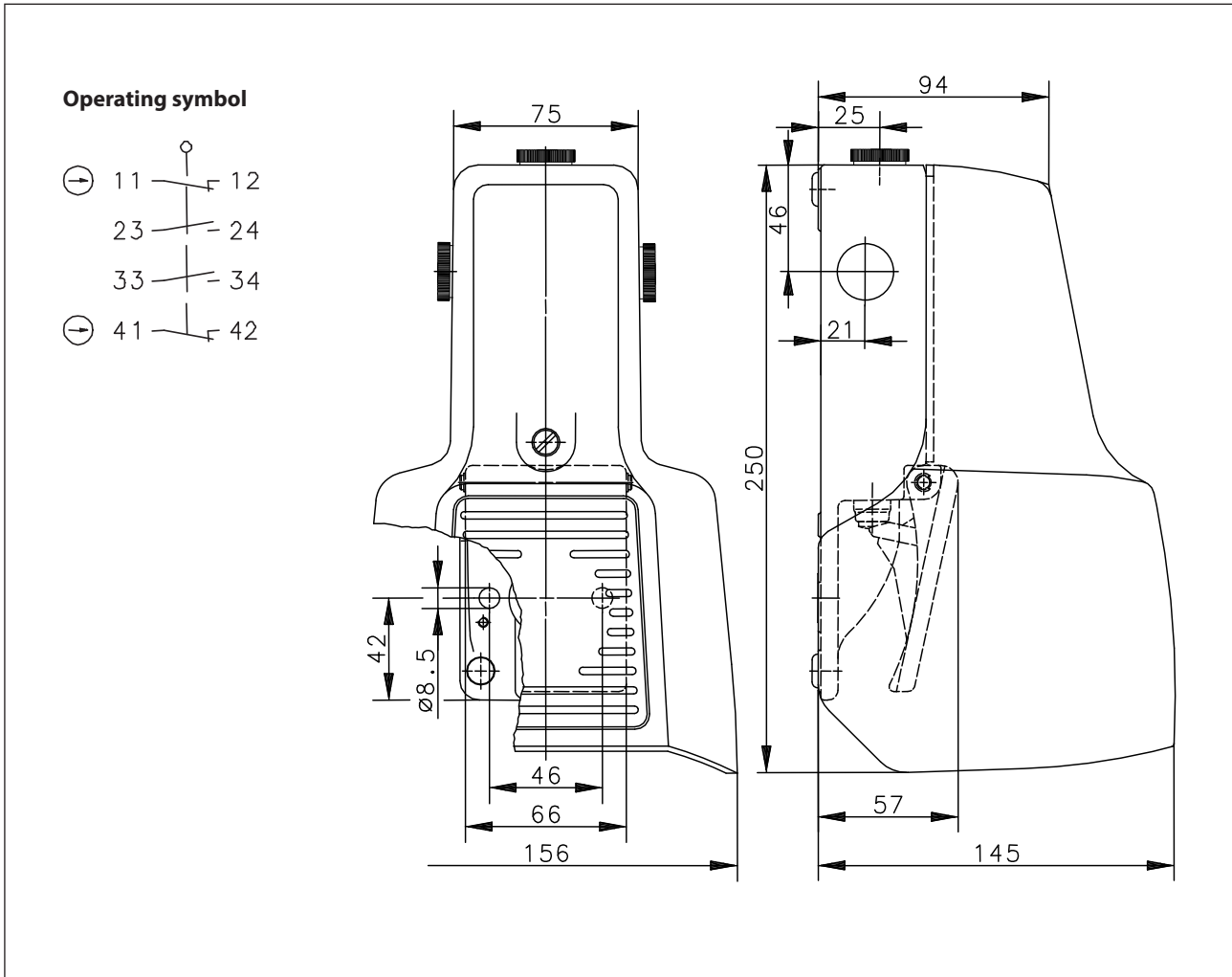


**Foot-switch**  
Series F1

Description **F1-SU2Z UN M20X1,5 O.FZ**

Article number **6161900373**



Electrical data		
Rated insulation voltage	$U_i$	400 V AC
Conv. thermal current	$I_{the}$	10 A
Rated operational voltage	$U_e$	240 V
Direct opening action	$\ominus$	based on IEC/EN 60947-5-1, Annex K
Short-circuit protective device		Fuse 2 A gG
Protection class		I

<b>Mechanical Data</b>	
Enclosure	AL, die-cast, RAL 9005 (deep black)
Protective guard (Accident protection cover UN)	AL, die-cast, RAL 3001 (signalred)
Actuator	Foot lever (PA)
Ambient air temperature	-30 °C ... +80 °C
Contact type	2 N.C. / 2 N.O. (Zb)
Operating force	≈ 10 N (pedal centre)
Mechanical life	10 x 10 <sup>6</sup> switching cycles
Switching frequency	≤ 50/min
Assembly	2 x M8
Connection	Screw connections (M3,5)
Number of connections	8
Protection ground	2 x M4
Conductor cross-sections	Solid: 0,5 ... 1,5 mm <sup>2</sup> Litz wire with ferrules: 0,5 ... 1,5 mm <sup>2</sup>
Cable entry size	3 x M20 x 1,5
Weight including protective guard	≈ 1,5 kg
Protection type	IP 65 acc. to IEC/EN 60529

<b>Notes</b>
The degree of protection specified (IP code) applies only to a properly closed protective guard and the use of an equivalent cable gland with adequate cable.