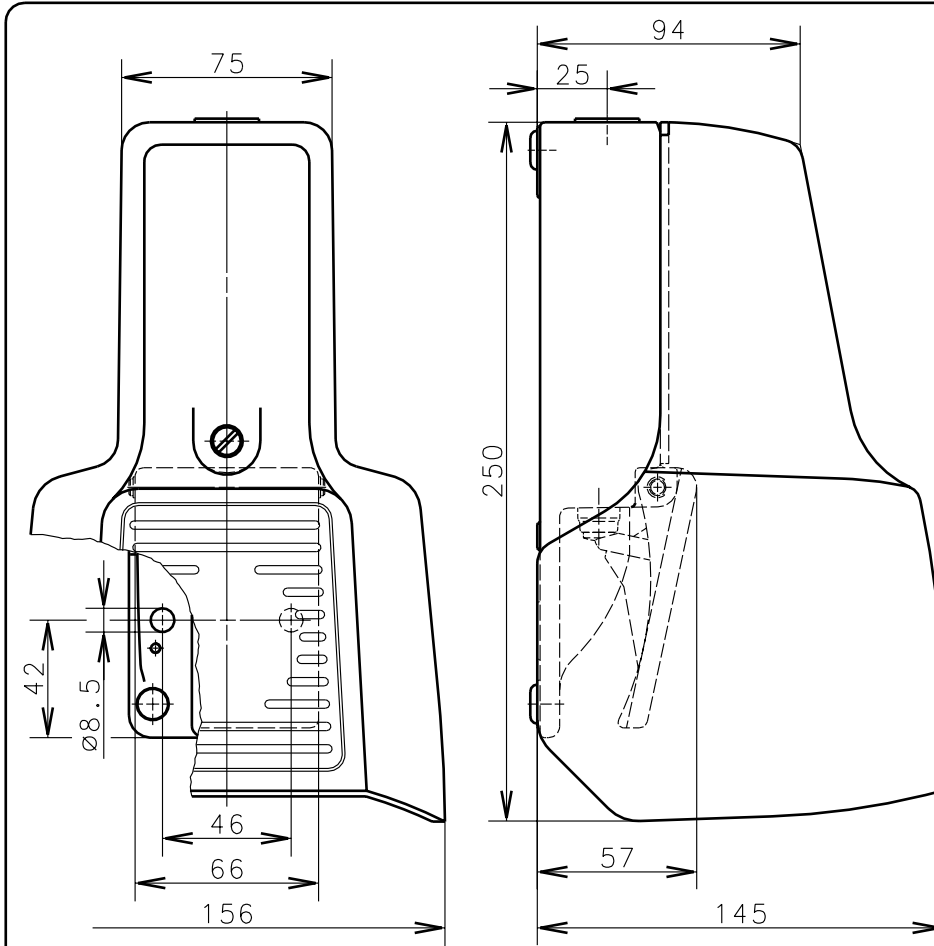


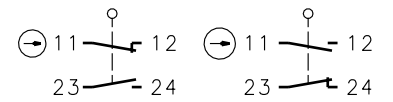
**Bernstein**Bernstein AG
Postfach 1164
D-32437 Porta Westfalica**Technical data sheet****F1-U1ZY UN CH****616.1600.457**

Positive opening operation according to DIN EN 60947-5-1 IEC 60947-5-1

ME 40 BW 03 A3
AustraliaY-rest switching:

After the first actuating, the switching position will be preserved even when loosening off the pedal. After the second actuating, the switching position will rest off.

Contact is after actuating the pedal in two different modes:



Switching symbol actuated once

Switching symbol actuated twice

Schutzvermerk nach DIN 34 beachten
Copyright reserved**Mechanical features**Enclosure: Al-die cast
Protective guard: Al-die cast
Actuator: Foot leverAmbient air temperature: -30°C up to +80°C
Contact type: 1 NC-contact, 1 NO-contact (Zb)Mechanical life: 10x10⁶ switch operations
Switch frequency: max. 50/min
Mounting: without mounting or 2 x M8
Connectoin type: 4 screw connections (M3,5)
Conductor cross-section: single core 0.5-1.5mm² / litz wire with connector sleeve 0.5-1.5mm²
Cable entry size: 1 x M20x1,5
Weight: approx. 1,5 kg**Electrical features**Rated insulation voltage: U_i = 500 V AC
Conventional thermal current: I_{the} = 10A
Max. inrush current: according to IEC 60947-5-1; AC 15, A300
Utilization categorie: AC 15, A300, U_e/I_e 240V/3A
Standards: according to EN 60947-1; EN 60947-5-1
Protection class (IP-Code): IP65 according to EN 60529; DIN VDE 0470 T1
Short-circuit protection: Fuse 10A gL/gG, IEC/EN 60947-5-1, appendix K**Remarks**The moving parts should be oiled periodically.
For the cable entry use jacks with threads and suitable sealing compound. Not used tapped holes must be closed with pegs and gasket. The lid screw should only be tightened hand tight. The earthing connection must be made with ring eyes or a ring terminal.

The rated protection class (IP-Code) is valid only at closed protective guard and when using an at least equivalent cable gland.

Copies are not retreated in case of alternations.

18.02.2002