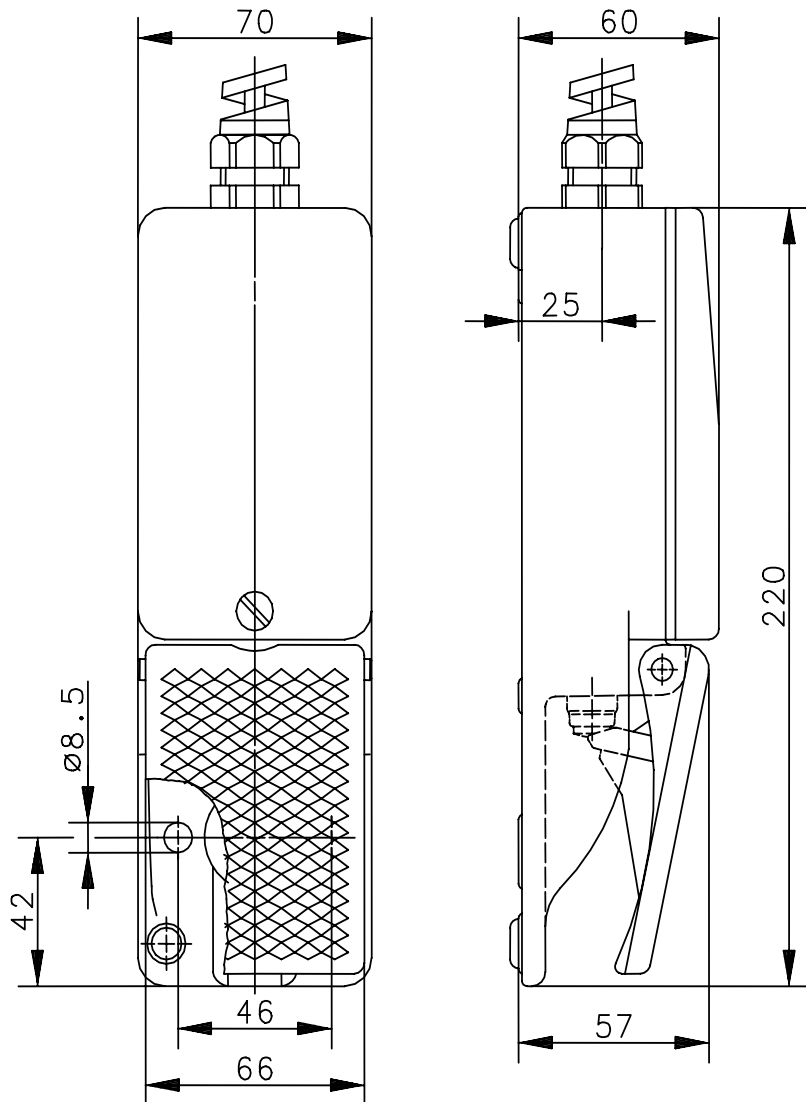
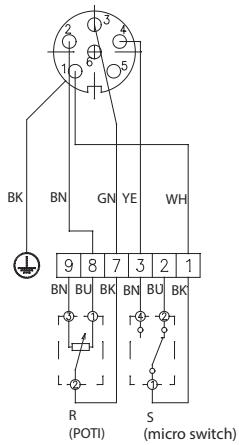


## Foot-switch Series F1

Description **F1-SU1 MI RG 10K0,5W**

Article number **6161300710**

### Connection example



Electrical data			
		Microswitch	Potentiometer
Rated current	I	5 A	-
Contact current	I	-	< 0,1 µA
Load	P	-	0,5 W/40 °C
Rated insulation voltage	U <sub>i</sub>	250 V AC	-
Rated voltage	U <sub>max</sub>	250 V AC	$\sqrt{P \times R}$ [V]
Ferrule resistor	R	-	10 kΩ ± 10 %
Short-circuit protective device		-	Fuse F 10 mA
Protection class		I (referred to the complete foot-switch)	

Mechanical data	
Enclosure	AL-sand casting / powder coated
Cover	AL-sand casting / powder coated
Actuator	Foot lever (PA)
Ambient air temperature	-25 °C ... +80 °C
Contact type	1 Change-over, 1 Potentiometer (10 kΩ)
Operating force	≈ 10 N (pedal centre)
Pressure point	≈ 15 N
Mechanical life	3 x 10 <sup>6</sup> operating cycles 5 x 10 <sup>5</sup> rotation cycles (Potentiometer)
Switching frequency	max. 20 / min
Assembly	2 x M8
Connection	Amphenol-Tochel-plug; 6-polig; C091A T 3400 004
Cable	Lapp-Cable 5 x 0,34 mm <sup>2</sup> - 3000 mm long; UNTRONIC-FD CP PLUS; 0028900
Weight	≈ 1,6 kg
Protection type	IP65 acc. to IEC/EN 60529

Standards	
	DIN EN 60947-5-1
Microswitch	DIN EN 61058-1 (VDE 0630 Teil 1) : 2008-09

EU Conformity	
	acc. to directive 2014/35/EU (Low-Voltage-Directive)

Notes	
The degree of protection specified (IP code) applies only to a properly closed cover and the use of an equivalent cable gland with adequate cable or to the plug matching mounted counterpart.	