

# Technical Data

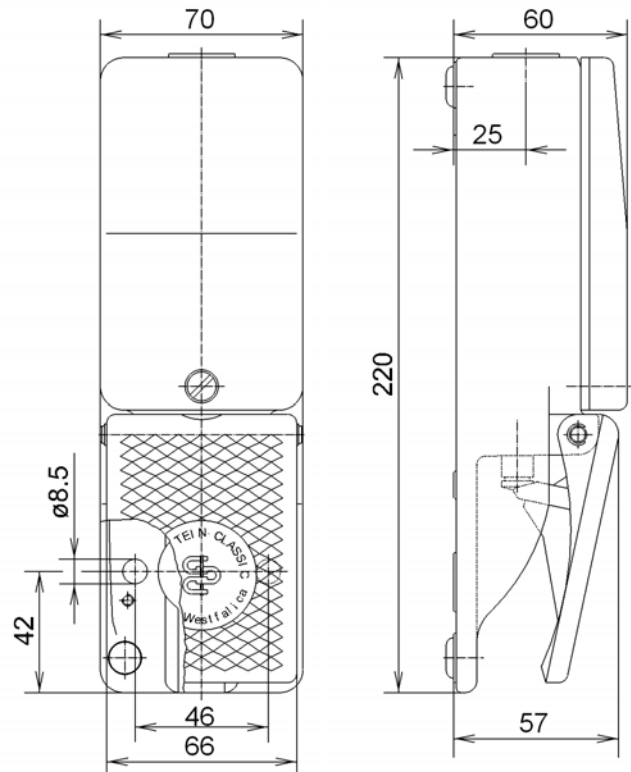
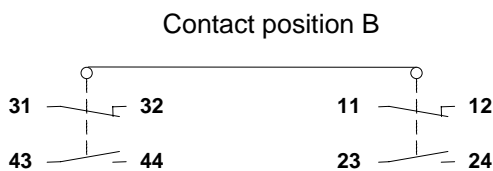
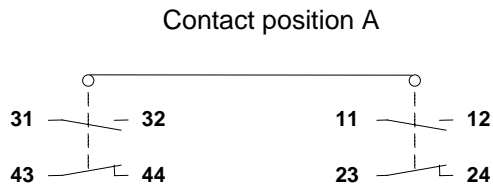
## Foot-switch

### Series F1

Description **F1-U2Y**

Article number **6161200506**

Switching symbol



### Electrical data

Rated insulation voltage	$U_i$	400 V AC
Conv. thermal current	$I_{the}$	5 A
Rated operational voltage	$U_e$	240 V
Utilization category		AC-15, $U_e / I_e$ 240 V / 1,5 A
Short-circuit protective device		Fuse 6 A gL/gG
Protection class		I

This document will not become the contractual basis; the details included herein do not constitute any descriptions of expected conditions, so that warranties/claims for defects on account of possible variations of the actual qualities from the qualities described herein are explicitly excluded. All rights reserved. Specifications subject to change without notice!

Date of issue: 09.06.2010 / Page 1 of 2  
Document: 6161200506\_en.doc / Last update: 1 / 2375-10

# Technical Data

## Foot-switch



<b>Mechanical data</b>	
Enclosure	AL, die-cast
Cover	AL, die-cast
Actuator	Foot lever (PA)
Ambient air temperature	-30 °C ... +80 °C
Contact type	bistable: 2 N.C., 2 N.O. (Za)
Operating force	approx. 10N (pedal centre)
Mechanical life	1 x10 <sup>6</sup> operating cycles
Switching frequency	max. 50/min
Assembly	2 x M8
Connection	screw connections M3,5
Number of connections	8 (see switching symbol)
Protection ground	2 x M4
Conductor cross-sections	Solid: 0,5 – 1,5 mm <sup>2</sup> Litz wire with or without ferrules: 0,5 – 1,5 mm <sup>2</sup>
Cable entrance	1 x M20x1,5
Weight	approx. 0,72 kg
Protection type	IP65 acc. to IEC/EN 60529
<b>Standards</b>	VDE 0660 T100, DIN EN 60947-1, IEC 60947-1 VDE 0660 T200, DIN EN 60947-5-1, IEC 60947-5-1

<b>EU Conformity</b>	<b>CE</b>
----------------------	-----------

<b>Approvals</b>	UL B300 (same polarity)
------------------	-------------------------

### Notes

Tapped holes not in use must be closed with blind plugs. The degree of protection (IP code) specified applies only to a properly closed cover and in connection with the appropriate cable glands or blind plugs.

Change over by using each time the complete pedal travel.

This document will not become the contractual basis; the details included herein do not constitute any descriptions of expected conditions, so that warranties/claims for defects on account of possible variations of the actual qualities from the qualities described herein are explicitly excluded. All rights reserved. Specifications subject to change without notice!