



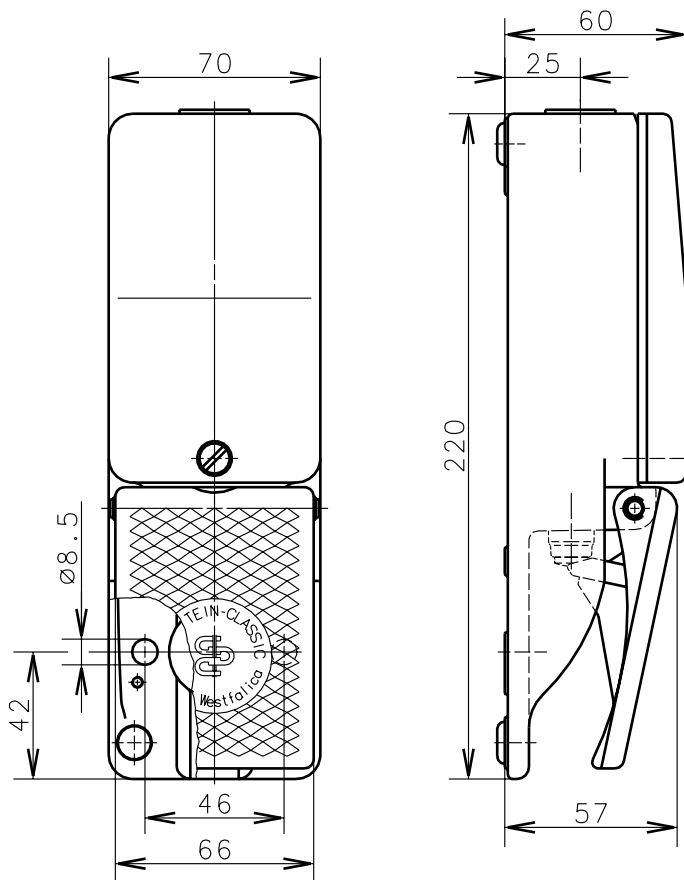
Bernstein

Bernstein AG
Postfach 1164
D-32437 Porta Westfalica

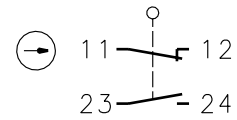
Technical data sheet

F1-U1Z (AP)

616.1100.639



Positive opening operation according to DIN EN 60947-5-1 IEC 60947-5-1



Switching symbol

Schutzvermerk nach DIN 34 beachten
Copyright reserved

Mechanical features

Enclosure:	Al-die cast
Cover:	Al-die cast
Actuator:	Foot lever

Ambient air temperature:	-30°C up to +80°C
Contact type:	1 NC-contact, 1 NO-contact (Zb)

Mechanical life:	10x10 ⁶ switch operations
Switch frequency:	max. 50/min
Mounting:	without mounting or 2 x M8
Connectoin type:	4 screw connections (M3,5)
Conductor cross-section:	single core 0.5-1.5mm ² / litz wire with connector sleeve 0.5-1.5mm ²
Cable entry size:	1 x M20x1,5
Weight:	approx. 0,73 kg

Electrical features

Rated insulation voltage:	U _i = 500 V AC
Conventional thermal current:	I _{the} = 10A
Max. inrush current:	according to IEC 60947-5-1; AC 15, A300
Utilization categorie:	AC 15, A300, U _e /I _e 240V/3A
Standards:	according to EN 60947-1; EN 60947-5-1
Protection class (IP-Code):	IP68 according to EN 60529; DIN VDE 0470 T1
CSA:	10A 300V AC, A300 (same polarity)
Short-circuit protection:	Fuse 10A gL/gG 10 A LS, IEC/EN 60947-5-1, appendix K

Remarks

The moving parts should be oiled periodically.
For the cable entry use jacks with threads and suitable sealing compound. Not used tapped holes must be closed with pegs and gasket. The lid screw should only be tightened hand tight. The earthing connection must be made with ring eyes or a ring terminal.

The rated protection class (IP-Code) is valid only at closed cover and when using an at least equivalent cable gland.

02.10.2003