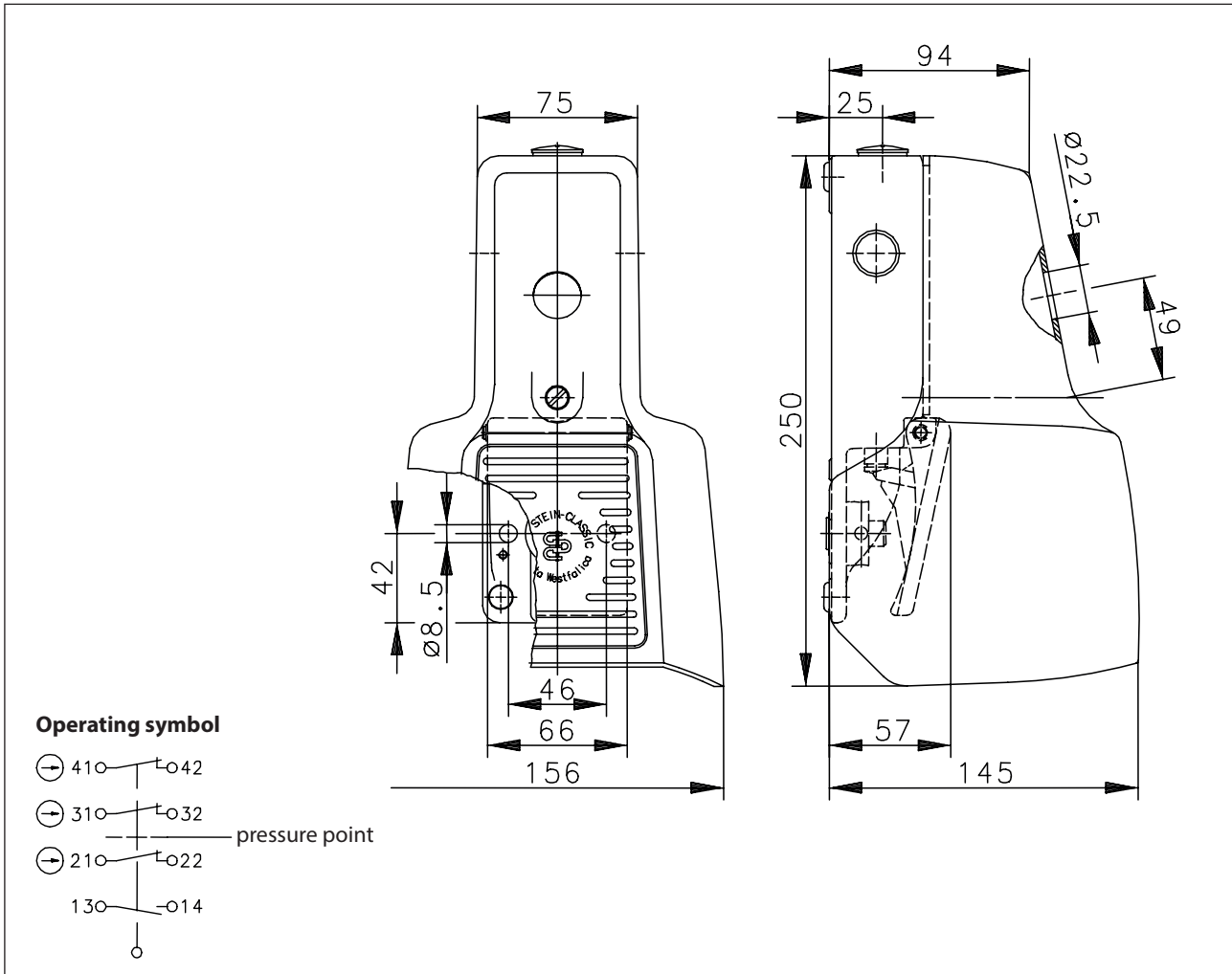


**Foot-switch**  
Series F1 UN

Description **F1-SU1ZA2ZD UN**

Article number **6161000598**



Electrical data		
Rated insulation voltage	$U_i$	400 V AC
Conv. thermal current	$I_{the}$	10 A
Rated operational voltage	$U_e$	240 V
Utilization category		AC-15, $U_e$ 240 V / $I_e$ 3 A,
Direct opening action	$\ominus$	acc. to IEC/EN 60947-5-1, Annex K
Short-circuit protective device		Fuse 2 A gG
Protection class		I

<b>Mechanical Data</b>	
Enclosure	AL, die-cast
Protective guard (Accident protection cover UN)	AL, die-cast; Colour: light grey
Actuator	Foot lever (PA)
Ambient air temperature	-30 °C ... +80 °C
Contact type	3 N.C. / 1 N.O. (Zb)
Operating force	with pressure point
Mechanical life	1 x 10 <sup>6</sup> switching cycles
Switching frequency	≤ 50/min
Assembly	2 x M8
Connection	8 Screw connections (M3,5)
Number of connections	8
Protection ground	2 x M4
Conductor cross-sections	Solid: 0,5 ... 1,5 mm <sup>2</sup> Litz wire with ferrules: 0,5 ... 1,5 mm <sup>2</sup>
Cable entry size	3 x M20 x 1,5
Weight including protective guard	≈ 1,4 kg
Protection type	IP 65 acc. to IEC/EN 60529

<b>ID for safety engineering</b>	
B10d	2 x 10 <sup>6</sup> cycles

<b>Standards</b>	
	DIN EN 60947-5-1
	DIN EN ISO 13849-1

<b>EU Conformity</b>	
	acc. to directive 2014/35/EU (Low-Voltage-Directive)

<b>Notes</b>	
The degree of protection specified (IP code) applies only to a properly closed protective guard, the use of an equivalent cable gland with adequate cable and equivalent internals in the protective guard.	