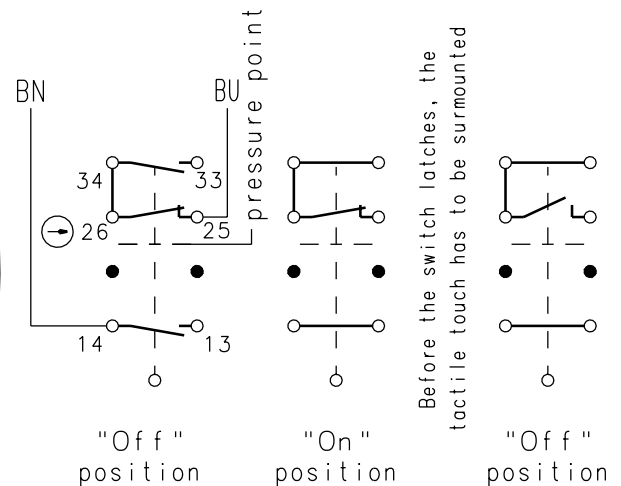
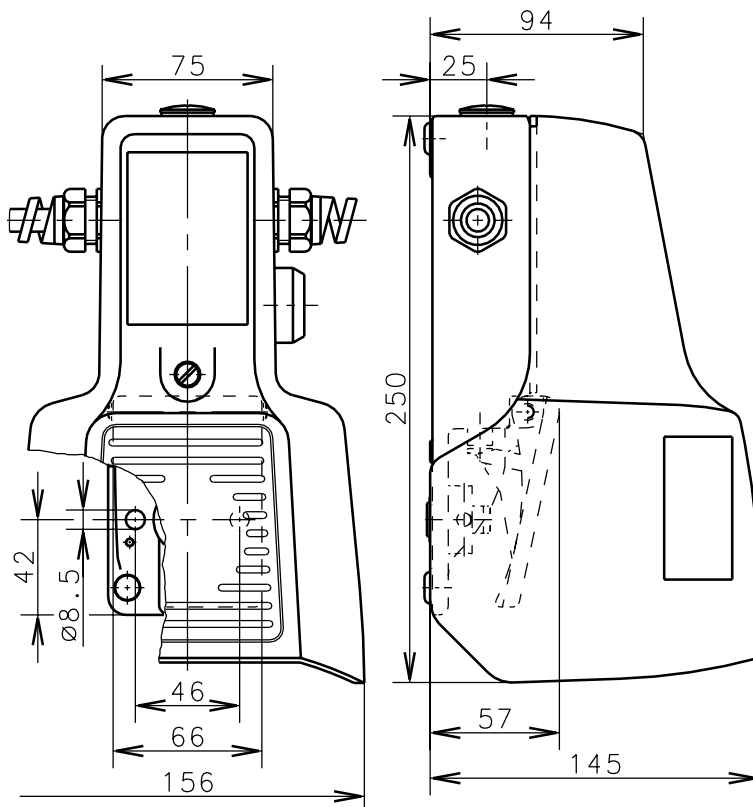


**Bernstein**Bernstein AG
Postfach 1164
D-32437 Porta Westfalica**Technical data sheet**

F1-SU1Z/UV1ZD UN

616.1000.230

Sheet 1 from 2

Positive opening
operation according
to DIN EN 60947-5-1
IEC 60947-5-1Three-Step-Safety Switch
with latching function
"Off-On-Off"

Switching symbol

Schutzvermerk nach DIN 34 beachten
Copyright reserved**Mechanical features**Enclosure: Al-die cast
Protective guard: Al-die cast
Actuator: Foot leverAmbient air temperature: -30°C up to +80°C
Contact type: 1 NC-contact, 2 NO-contacts (Zb)Mechanical life: 1×10^6 switch operations
Switch frequency: max. 50/min
Mounting: without mounting or 2 x M8
Connectoin type: 6 screw connections (M3,5)
Cable enty size: 1 x M20x1,5; 2 tight cable glands M20x1,5 (clamp-range 7-13mm)
Weight: approx. 2,2 kg
Cable: 4030mm total length**Electrical features**Max. voltage: 500 V AC
Max. enduring current: 1 th 10A
Max. inrush current: according to IEC 947-5-1, AC 15, DC 13
Standards: according to EN 60947-1; EN 60947-5-1
Protection class (IP-Code): IP65 according to EN 60529; DIN VDE 0470 T1
CSA: 10A 300V AC, A300 (same polarity)
Short-circuit protection: Fuse 2A gL/gG, IEC/EN 60947-5-1, appendix K**Remarks**The moving parts should be oiled periodically.
For the cable entry use jacks with threads and suitable sealing compound.
Not used tapped holes must be closed with pegs and gasket. The lid screw should only be tightened hand tight. The earthing connection must be made with ring eyes or a ring terminal.

The planned protection class (IP-Code) is valid only at closed protective guard and when using an at least equivalent cable gland.

Copies are not retreated in case of alternations.

19.03.2001



FUNCTION:

THREE STAGE SAFETY FOOTSWITCH WITH LATCH

The safety footswitch contacts are wired in series, this allows normal machine operation with the advantage of a safety latched "Emergency stop" if the pedal is fully depressed.

1. Rest-Machine stopped.
2. Machine start is enabled by depressing pedal to the pressure point, this closed the normally open contacts 33-34 and 13-14.
3. In an emergency, the pedal is fully depressed (beyond the pressure point). The normally closed contacts 25-26 are force disconnected stopping the machine, simultaneously the latch engages and holds the contacts in this "Emergency stop" status, preventing an unauthorised re-start of the machine.

"Safety for man and machine"

4. Only after releasing the latch, by pressing the push button mounted in the side of the footswitch body, do the contacts reset allowing normal operation to resume.

