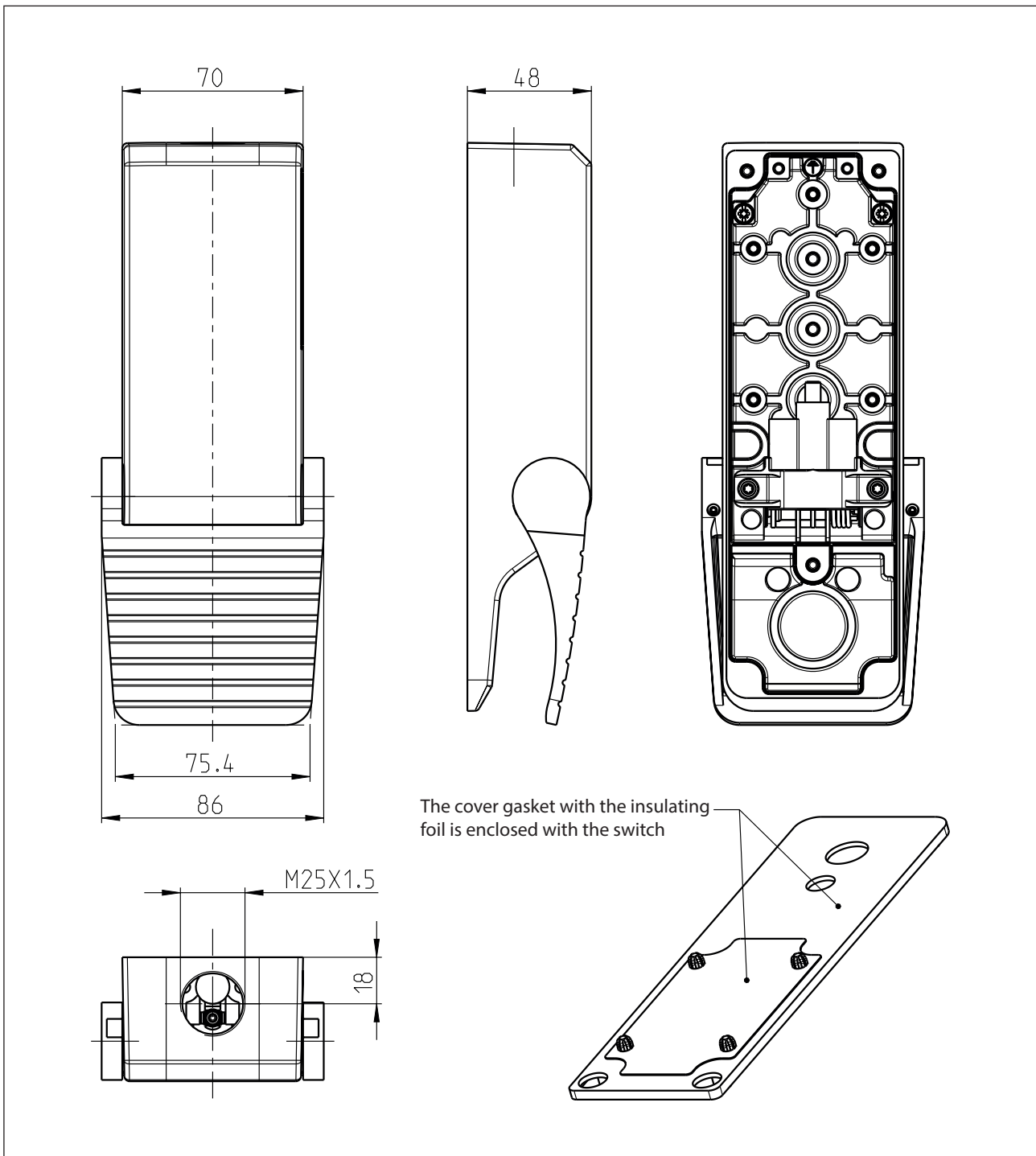


**Foot-switch**  
Series FS1

Description **FS1-000-0-0**

Article number **6160600021**



Mechanical data		
Enclosure		AL, die-cast (powder-coated), RAL 5002 (Ultramarine blue)
Actuator		1 pedal (thermoplastic) RAL 7036 (Platinum grey)
Ambient air temperature @ $t = \infty$		-10 °C ≤ T ≤ +80 °C
	t ≤ 2 h (cleaning)	-10 °C ≤ T ≤ +95 °C
Normal use condition	temperature	+10 °C ≤ T ≤ +40 °C
	air humidity	5 % ... 95 % - no condensation
	atmospheric pressure	700 hPa ... 1060 hPa
Storage and transport condition	temperature	-20 °C ≤ T ≤ +80 °C
	air humidity	5 % ... 95 % - no condensation
	atmospheric pressure	700 hPa ... 1060 hPa
Protection ground		2 x M4
Cable entrance		1 x M25 x 1,5
Weight		≈ 0,57 kg

EU Conformity	
	acc. to directive 2011/65/EU (RoHS)