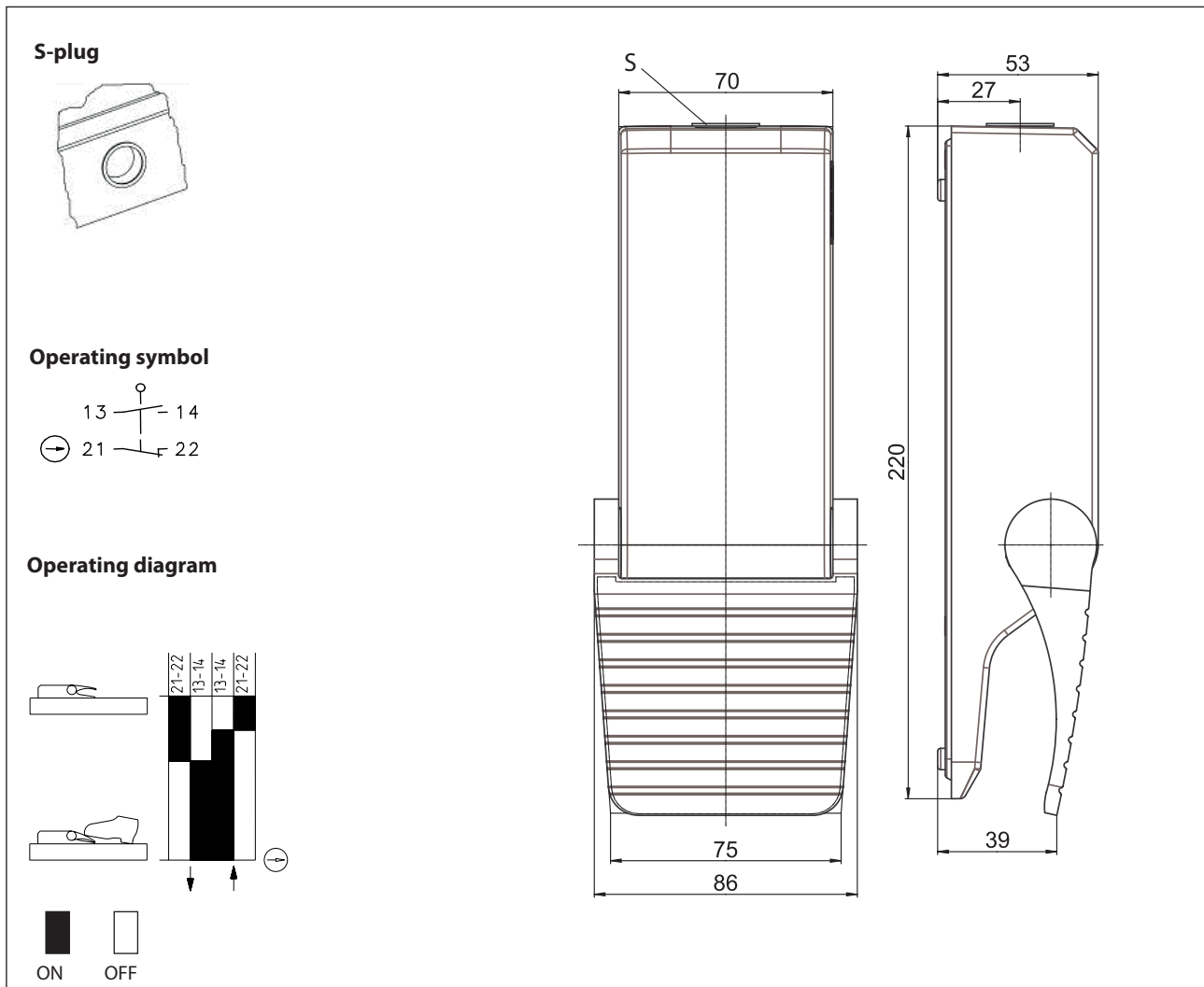


Foot-switch Series FS1

Description **FS1-500-0-99**

Article number **6160600018**



Electrical Data		
Rated insulation voltage	U_i	400 V AC
Conv. thermal current	I_{the}	10 A
Rated operational voltage	U_e	240 V
Utilization category		AC-15, U_e / I_e 240 V AC / 3 A
Direct opening action	\ominus	acc. to IEC/EN 60947-5-1, annex K
Short-circuit protective device		Fuse 10 A gG
Protection class		I

Mechanical data							
Enclosure	AL, die-cast (powder-coated), Pantone Cool Gray 2c						
Cover	AL, die-cast (powder-coated), Pantone Cool Gray 2c						
Actuator	1 pedal (thermoplastic) RAL 7036 (platinum grey)						
Ambient air temperature @ $t = \infty$	$-10\text{ °C} \leq T \leq +80\text{ °C}$						
$t \leq 2\text{ h}$ (cleaning)	$-10\text{ °C} \leq T \leq +95\text{ °C}$						
Normal use condition	<table border="0"> <tr> <td>temperature</td> <td>$+10\text{ °C} \leq T \leq +40\text{ °C}$</td> </tr> <tr> <td>air humidity</td> <td>5 % ... 95 % - no condensation</td> </tr> <tr> <td>atmospheric pressure</td> <td>700 hPa ... 1060 hPa</td> </tr> </table>	temperature	$+10\text{ °C} \leq T \leq +40\text{ °C}$	air humidity	5 % ... 95 % - no condensation	atmospheric pressure	700 hPa ... 1060 hPa
temperature	$+10\text{ °C} \leq T \leq +40\text{ °C}$						
air humidity	5 % ... 95 % - no condensation						
atmospheric pressure	700 hPa ... 1060 hPa						
Storage and transport condition	<table border="0"> <tr> <td>temperature</td> <td>$-20\text{ °C} \leq T \leq +80\text{ °C}$</td> </tr> <tr> <td>air humidity</td> <td>5 % ... 95 % - no condensation</td> </tr> <tr> <td>atmospheric pressure</td> <td>700 hPa ... 1060 hPa</td> </tr> </table>	temperature	$-20\text{ °C} \leq T \leq +80\text{ °C}$	air humidity	5 % ... 95 % - no condensation	atmospheric pressure	700 hPa ... 1060 hPa
temperature	$-20\text{ °C} \leq T \leq +80\text{ °C}$						
air humidity	5 % ... 95 % - no condensation						
atmospheric pressure	700 hPa ... 1060 hPa						
Contact type	1 changeover (Zb)						
Operating force	15 N \pm 10 %						
Mechanical life	> 1 x 10 ⁶ operating cycles						
Switching frequency	50 switching cycles / min						
Connection	screw connections						
Conductor cross-sections	Solid: 0,5 – 1,5 mm ² Litz wire with or without ferrules: 0,5 – 1,5 mm ²						
Protection ground	2 x M4						
Cable entrance	1 x M20 x 1,5						
Weight	≈ 0,7 kg						
Protection type	IPX8 acc. to IEC/EN 60529 (0,15 bar / 1 h)						

ID for safety engineering	
B10d	2 x 10 ⁶ cycles

Standards	
	VDE 0660 T100, DIN EN 60947-1, IEC 60947-1
	VDE 0660 T200, DIN EN 60947-5-1, IEC 60947-5-1
	DIN EN ISO 13849-1

EU Conformity	
	acc. to directive 2014/35/EU (Low-Voltage-Directive)

Notes	
The degree of protection specified (IP code) applies only to a properly closed cover and the use of an equivalent cable gland with adequate cable.	