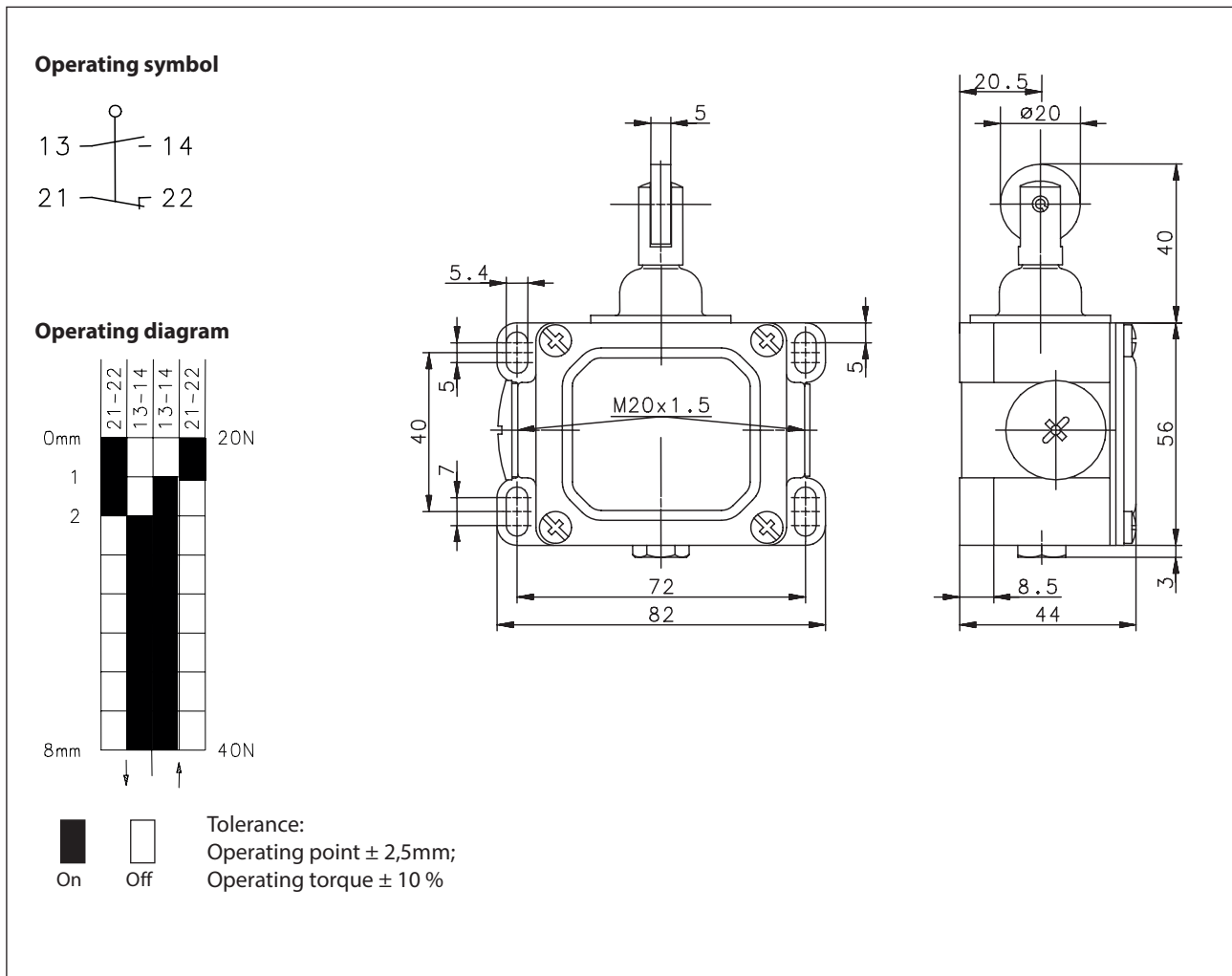


Metal bodied limit switch Series D

Description **D-SU1 RW 90GR**

Article number **6141168795**



Electrical Data

Rated insulation voltage	U_i	400 V _{AC}
Conv. thermal current	I_{the}	16 A
Rated operational voltage	U_e	240 V
Utilization category		AC-15, U_e/I_e 240 V / 10 A
Short-circuit protective device		Fuse 16 A gG
Protection class		I

