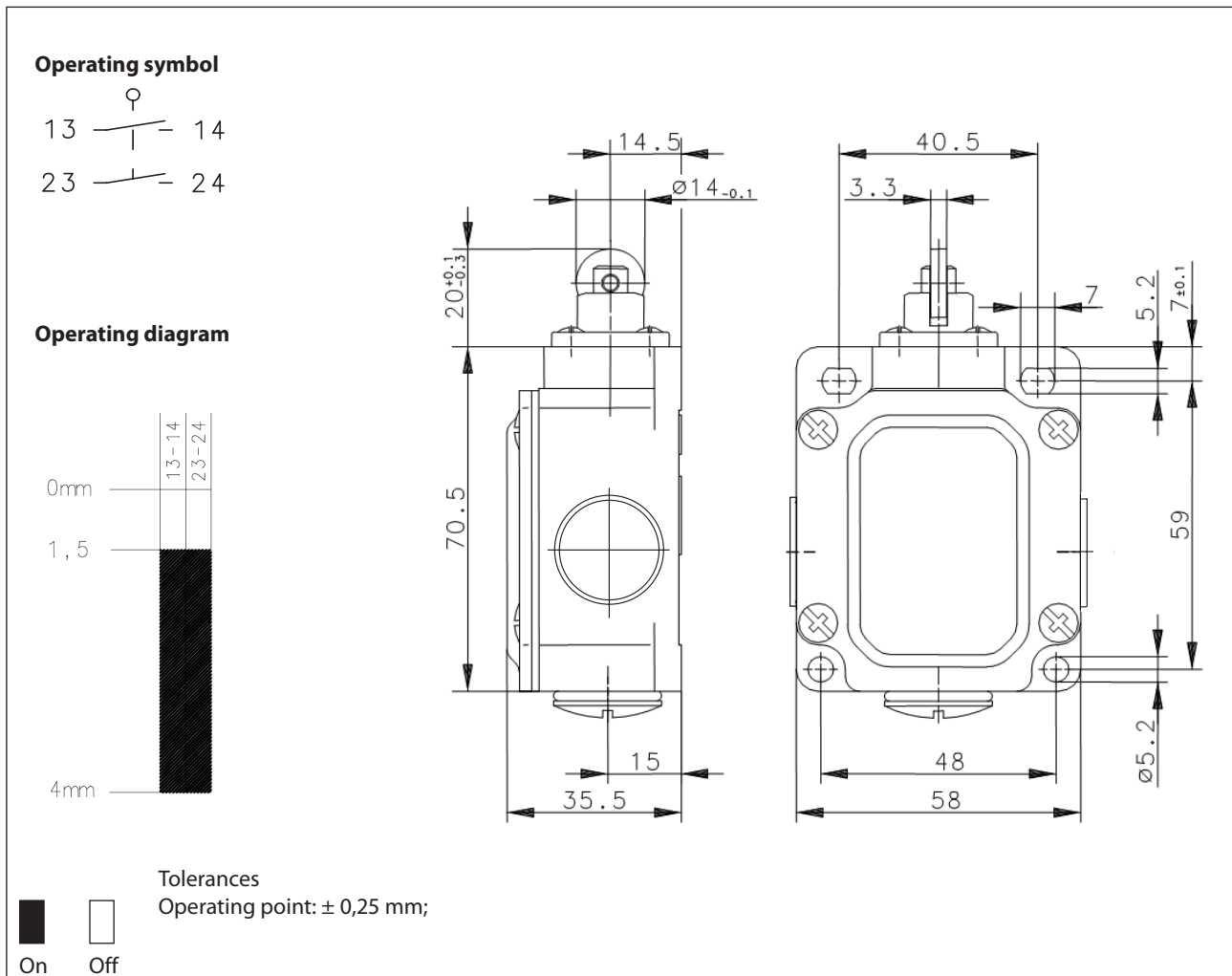


Metal bodied limit switch Series SN2

Description **SN2-E2 RIW 90GR**

Article number **6133817040**



Electrical Data

Rated insulation voltage	U_i	250 V _{AC}
Conv. thermal current	I_{the}	5 A
Rated operational voltage	U_e	240 V
Utilization category		AC-15, U_e/I_e 240 V / 1,5 A
Direct opening action	\ominus	acc. to IEC/EN 60947-5-1, annex K
Short-circuit protective device		Fuse 6 A gG
Protection class		I
Making and breaking capacity		Acc. to IEC 60076-22-1 - 7.6.3.2.2, Table 15, 220 V _{DC} and 24 V _{DC} (switching frequency ≤ 6 / min.)

Mechanical data	
Enclosure	Die-cast aluminium
Cover	Sheet aluminium
Actuator	Roller (st)
Ambient air temperature	-30 °C ... +80 °C
Contact type	1 NC, 1 NO (Zb)
Mechanical life	10 x 10 ⁶ operating cycles
Switching frequency	≤ 100 / min.
Assembly	4 x M5
Connection	4 screw connections (M3)
Conductor cross-sections	Solid: 0,5 ... 1,5 mm ² or Litz wire with ferrules: 0,5 ... 1,5 mm ²
Cable entrance	3 x M20 x 1,5
Weight	≈ 0,2 kg
Installation position	operator definable
Protection type	IP65 acc. to IEC/EN 60529

Actuation
By loosening the 4 screws the actuation assembly can be rotated in 90 degree increments such that 2 actuation directions are possible. The actuation assembly is to be again fastened to the housing using the 4 screws.

Standards
DIN EN 60947-5-1

EU Conformity
acc. to directive 2014/35/EU (Low-Voltage-Directive)

Notes
The degree of protection specified (IP65) applies only to a properly closed cover and the use of an equivalent cable gland with adequate cable and fitted inserts. Unused threaded holes are to be permanently closed with appropriate fitted inserts (e.g.: blanking plugs).