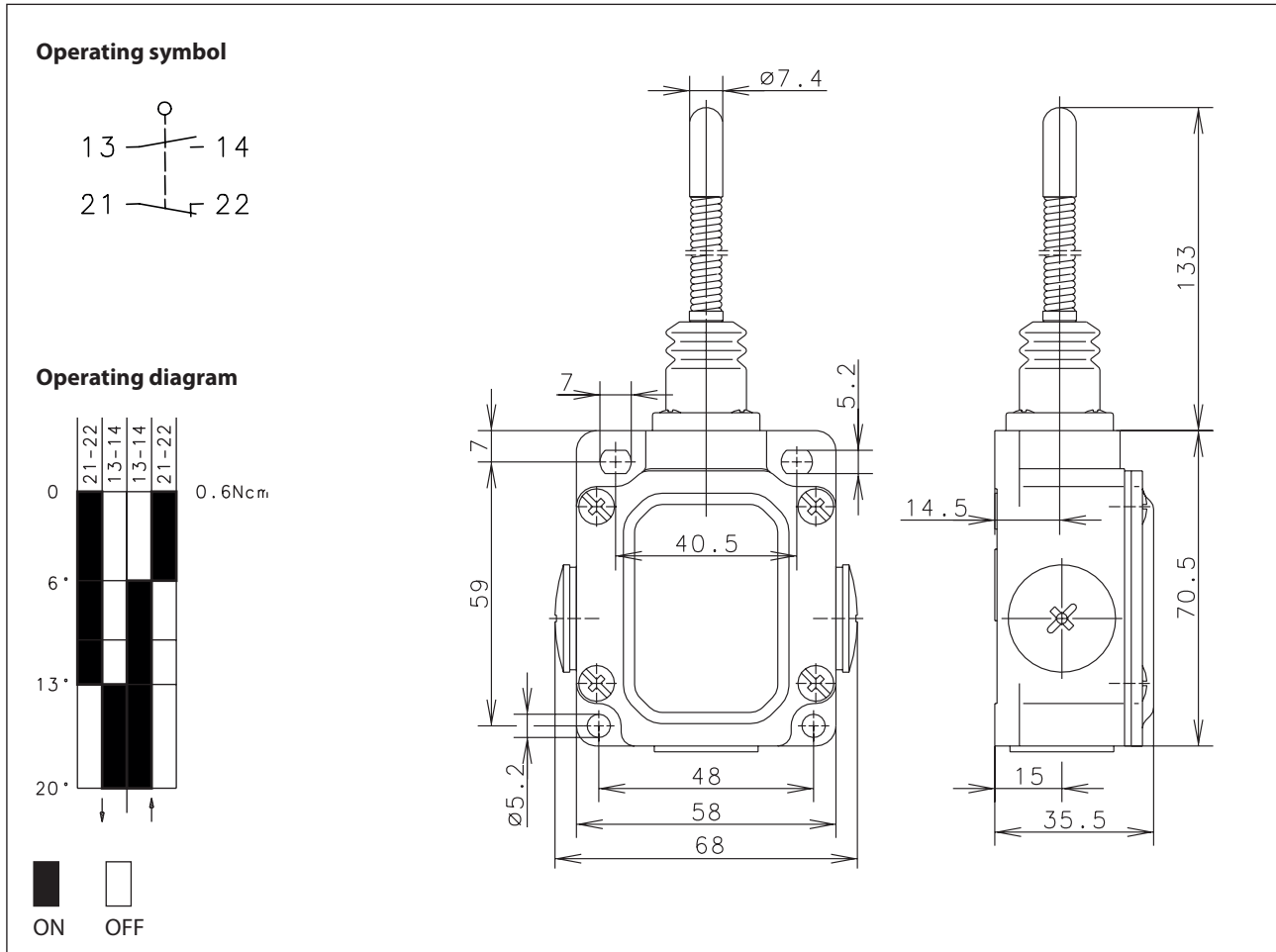


Metal bodied limit switch Series SN2

Description **SN2-SU1 FF**

Article number **6133190009**



Electrical data

| | | |
|---------------------------------|-----------|--------------------------------|
| Rated operational voltage | U_i | 400 V AC |
| Conv. thermal current | I_{the} | 10 A |
| Rated operational voltage | U_e | 240 V |
| Utilization category | | AC-15, U_e / I_e 240 V / 3 A |
| Short-circuit protection device | | Fuse 2 A gG |
| Protection class | | I |

| Mechanical data | |
|--------------------------|---|
| Enclosure | Die-cast aluminium |
| Cover | Sheet aluminium |
| Actuator | Spring lever with plastic slide |
| Ambient air temperature | -30 °C ... +80 °C |
| Contact type | 1 NC, 1 NO (Zb) |
| Mechanical life | 10 x 10 ⁶ switching cycles |
| Switching frequency | ≤ 100 / min. |
| Assembly | 4 x M5 |
| Connection | screw connections (M3,5) |
| Conductor cross-sections | Solid: 0,5 – 1,5 mm ² Litz wire with or without ferrules: 0,5 – 1,5 mm ² |
| Cable entrance | 3 x M20 x 1,5 |
| Weight | ≈ 0,20 kg |
| Installation position | operator definable |
| Protection type | IP65 acc. to IEC/EN 60529 |

| Actuation |
|---|
| The actuator can be approached from all directions with exception of the axial direction. |

| Standards |
|--|
| VDE 0660 T100, DIN EN 60947-1, IEC 60947-1 |
| VDE 0660 T200, DIN EN 60947-5-1, IEC 60947-5-1 |

| EU Conformity |
|---|
| UL |
| cCSA _{US} A300 (same polarity) |

| Approvals |
|------------------------------|
| acc. to directive 2006/95/EC |

| Notes |
|--|
| The degree of protection specified (IP code) applies only to a properly closed cover and the use of an equivalent cable gland with adequate cable. |