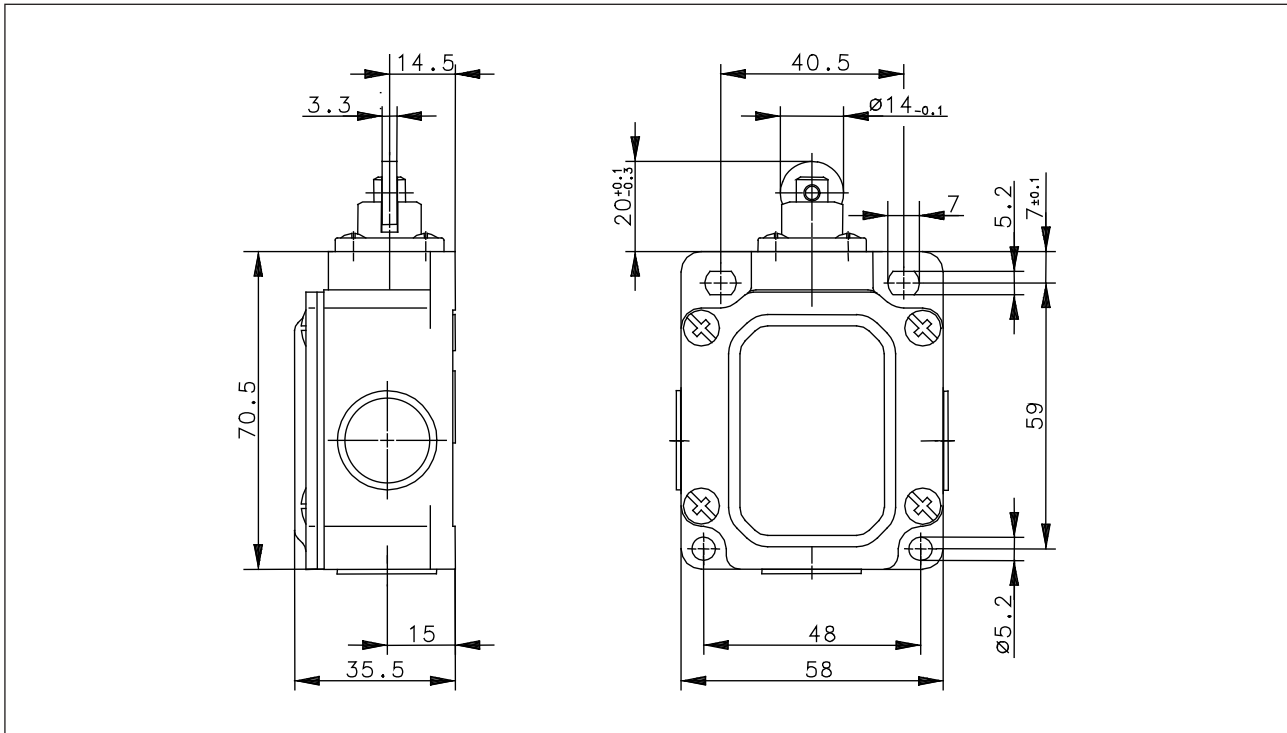


Metal bodied limit switch Series SN2

Description **SN2-RIW 90GR VS**

Article number **613300023**



Mechanical data

Enclosure	Die-cast aluminium (RAL 3016)
Cover	Sheet aluminium (RAL 9005)
Actuation	St-roller
Ambient air temperature	-30 °C ... +80 °C
Mechanical life	10 x 10 ⁶ operating cycles
Switching frequency	≤ 100 / min.
Assembly	4 x M5
Cable entrance	3 x M20 x 1,5
Weight	≈ 0,2 kg
Installation position	operator definable
Protection type	IP65 acc. to IEC/EN 60529

Actuation

By loosening the 4 screws the actuation assembly can be rotated in 90 degree increments such that 2 actuation directions are possible. The actuation assembly is to be again fastened to the housing using the 4 screws.

Notes

The degree of protection (IP code) specified applies solely to a properly closed cover and the use of an equivalent cable gland with adequate cable.

The actuator has an increased switching force.

The article is delivered without built-in switch and without label.