

Technical Data

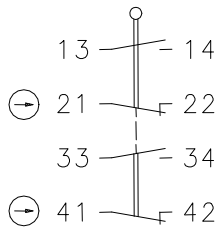
Metal Switches

Series GC

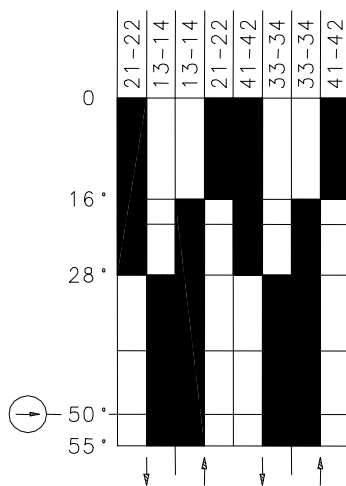
Description **GC-SU2Z AHS 90GR**


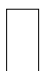
Article number **6122485984**

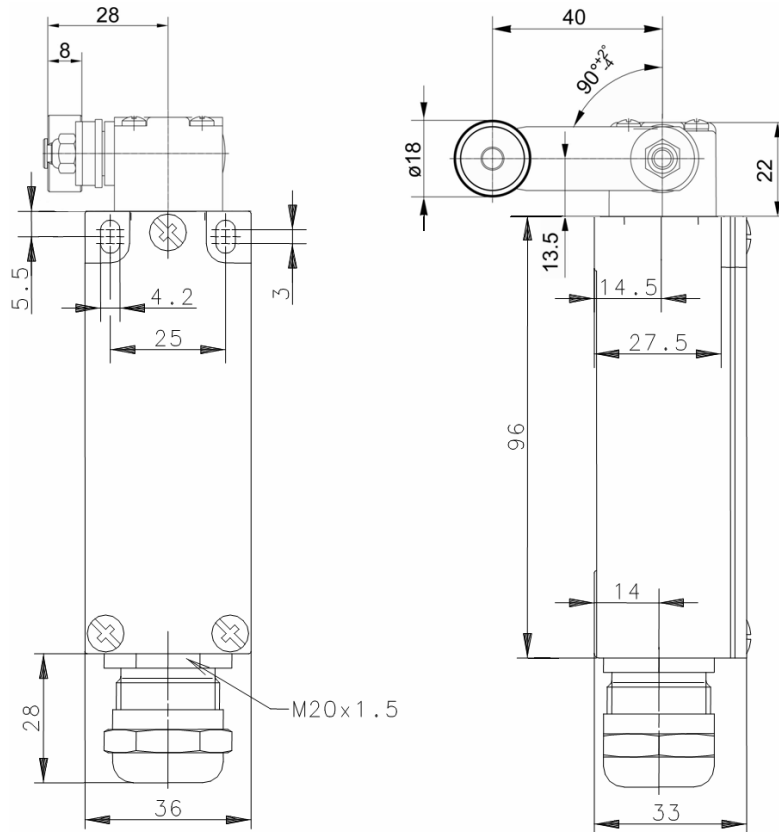
Operating symbol




Operating diagram



  Tolerances
 Operating point: $\pm 3,5^\circ$ (@ 20 °C);
 Operating torque: $\pm 10\%$ (@ 20 °C)



Electrical data

Rated insulation voltage	U_i	250 V AC
Conv. thermal current	I_{the}	10 A
Rated operational voltage	U_e	240 V
Utilization category		AC-15, U_e/I_e 240 V / 3 A
Direct opening action		acc. to IEC/EN 60947-5-1, Annex K
Short-circuit protective device		Fuse 6 A gG
Protection class		I

This document will not become the contractual basis; the details included herein do not constitute any descriptions of expected conditions, so that warranties/claims for defects on account of possible variations of the actual qualities from the qualities described herein are explicitly excluded. All rights reserved. Specifications subject to change without notice!

Date of issue: 15.02.2013 / Page 1 of 2
 Document: 6122485984_en / Last update: 1 / 2130-13

Mechanical data

Enclosure	Die-cast aluminium
Cover	Sheet aluminium
Actuator	Turret head, lever (St), roller (thermoplastic)
Ambient air temperature	-30 °C ... +80 °C
Contact type	2 NC, 2 NO (Za)
Mechanical life	3 x 10 ⁶ operating cycles
Switching frequency	≤ 100 / min.
Assembly	2 x M4
Connection	8 screw terminals (M3,5)
Conductor cross-sections	Solid: 0,5 ... 1,5 mm ² Litz wire with ferrules: 0,5 ... 1,5 mm ²
Cable entrance	1 x M20x1,5 cable gland Clamping range Ø 6-12 mm
Weight	≈ 0,3 kg
Installation position	Operator definable
Protection type	IP65 acc. To IEC/EN 60529

Actuation

The actuating device is preferably started from 2 sides.

By loosening the 4 screws the actuation assembly can be rotated in 90 degree increments such that 8 actuation directions are possible. The actuation assembly is to be again fastened to the housing using the 4 screws.

ID for safety engineering

B10d	6 x 10 ⁶ switching cycles
------	--------------------------------------

Standards

VDE 0660 T100, DIN EN 60947-1, IEC 60947-1
VDE 0660 T200, DIN EN 60947-5-1, IEC 60947-5-1

EU Conformity

acc. to directive 2006 / 95 / EC

Notes

The degree of protection specified (IP code) applies only to a properly closed cover and the use of an equivalent cable gland with adequate cable.