

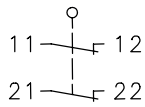
# Metal bodied limit switch

## Series GC

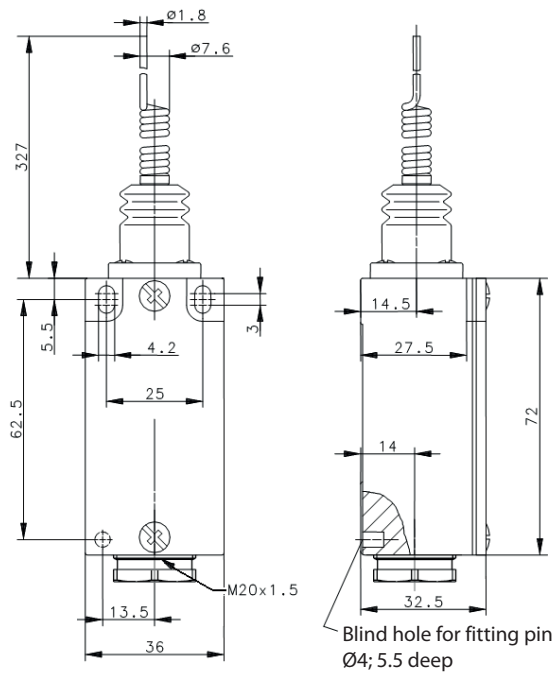
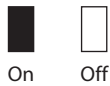
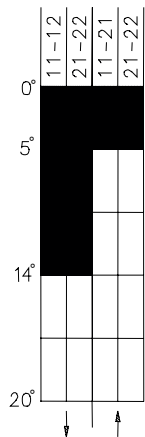
Description **GC-SA2 FFL**

Article number **6121890946**

### Operating symbol



### Operating diagram



Electrical data		
Rated insulation voltage	$U_i$	400 V AC
Conv. thermal current	$I_{the}$	10 A
Rated operational voltage	$U_e$	240 V AC
Utilization category		AC 15, $U_e / I_e$ 240 V / 3 A
Short-circuit protective device		Fuse 2 A gG
Safety class		I

Mechanical Data	
Enclosure	AL, die-cast
Cover	Sheet aluminium
Actuator	Wobble stick (long)
Ambient air temperature	-30 °C ... +80 °C
Contact type	1 NC, 1 NO (Zb)
Mechanical life	10 x 10 <sup>6</sup> switching cycles
Switching frequency	≤ 100/min.
Assembly	2 screws M4
Connection	4 screw connections (M3,5)
Conductor cross-sections	Solid: 0,5 ... 1,5 mm <sup>2</sup> or Litz wire with ferrules: 0,5 ... 1,5 mm <sup>2</sup>
Cable entrance	1 x M20x1.5
Weight	≈ 0,17 kg
Installation position	operator definable
Protection type	IP 54 acc. to IEC / EN 60529

Actuation
The actuator can be approached from all directions with exception of the axial direction.

Standards
DIN EN 60947-5-1

EU Conformity
acc. to directive 2014/35/EU (Low-Voltage-Directive)

Notes
The switch may not be used as a mechanical stop. The degree of protection specified (IP code) applies only to a properly closed cover and the use of an equivalent cable gland with adequate cable.