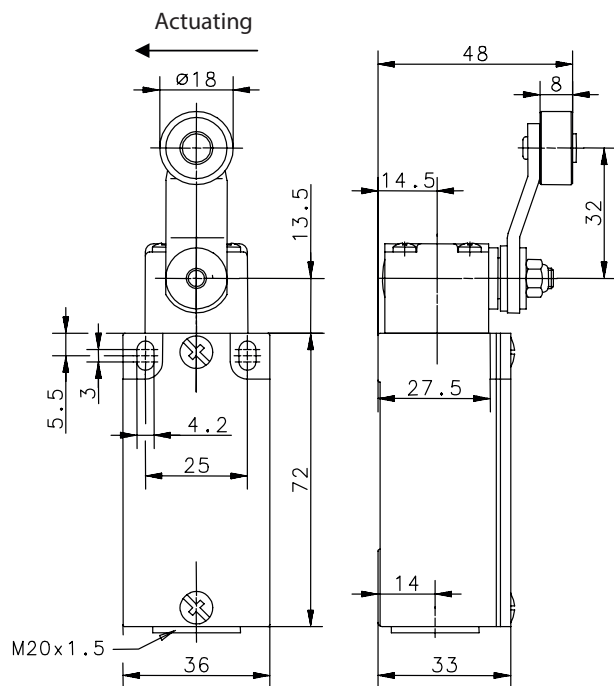
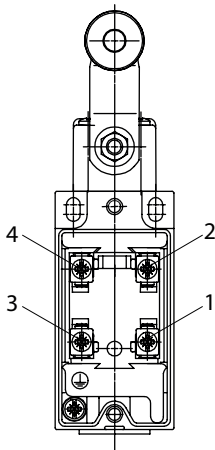
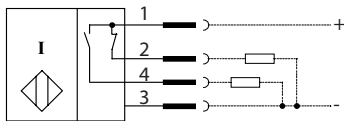


Metal bodied limit switch Series GC

Description **GC-PNP AHST**

Article number **6121385805**

Wiring Diagram (Inductive Proximity Switch)



Electrical Data (Inductive Proximity Switch)

Rated operational voltage	U_e	12 - 48 V DC
Operational voltage range	U_B	10 - 60 V DC
Rated insulation voltage	U_i	75 V DC
Rated impulse withstand voltage	U_{imp}	500 V
Voltage drop	U_d	≤ 2 V
Utilization category		DC-13
Rated operational current	I_e	300mA at 70°C, 400mA at 20°C
Minimum operational current	I_m	1 mA
Off-state current	I_r	< 0,1mA
No-load supply current	I_o	< 8,1mA
Rated conditional short-circuit current		100A
Switching element		PNP Transistor
Short-circuit protection		pulsed
Rated supply frequency		DC
False polarity protection		protection against reverse supply polarity

Mechanical data	
Enclosure	Die-cast aluminium
Cover	pate aluminium
Actuator	Lever arm housing (Zn-DG), lever and roller (St)
Operating point	preset 40° ±5%
	adjustable range 30° ... 45°
Operating torque	10Ncm
Ambient air temperature	-25 °C ... +70 °C
Mechanical life	10 x 10 ⁶ operating cycles
Switching frequency	≤ 100 / min.
Assembly	2 x M4
Connection	4 screw terminals (M3.5)
Conductor cross-sections	Solid: 0.5 ... 1.5mm ²
	Litz wire with ferrules: 0.5 ... 1.5mm ²
Cable entrance	1 x M20x1.5
Weight	≈ 0,22 kg
Installation position	operator definable
Protection type	IP65 acc. to IEC/EN 60529

Actuation
By loosening the 4 screws the actuation assembly can be rotated in 90 degree increments such that 4 actuation directions are possible. The actuation assembly is to be again fastened to the housing using the 4 screws.

Standards
DIN EN 60947-5-1
DIN EN 60947-5-2

EU Conformity
acc. to directive 2014/30/EU (EMC-Directive)

Notes
The degree of protection specified (IP code) applies only to a properly closed cover and the use of an equivalent cable gland with adequate cable.