

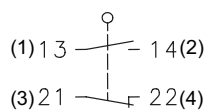
Metal bodied limit switch

Series GC

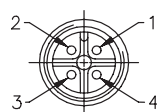
Description **GC-SU1 FF M12**

Article number **6121190979**

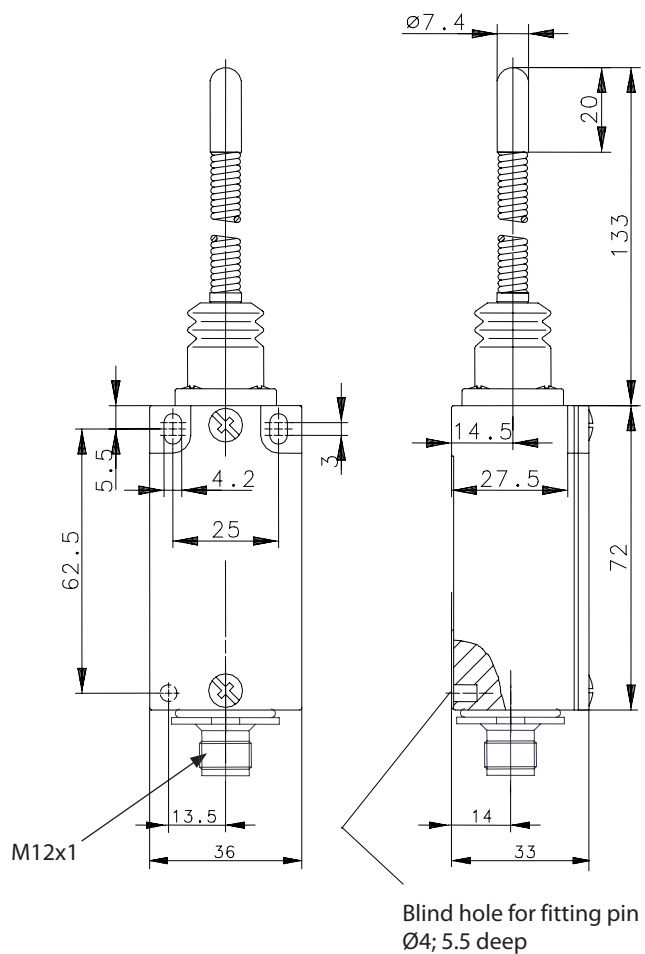
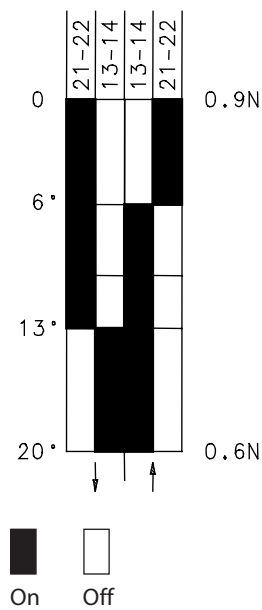
Operating symbol



Plug



Operating diagram



Electrical Data

Rated operational voltage	U_e	24 V
Utilization category		AC-15, U_e/I_e 24 V / 0,75 A
Short-circuit protective device		Fuse 2 A gG
Protection class		III (extra- low voltage)

Mechanical data	
Enclosure	Die-cast aluminium
Cover	Sheet aluminium
Actuator	Wobble stick with plastic slide
Ambient air temperature	-30 °C ... +80 °C
Contact type	1 N.C., 1 N.O.
Mechanical life	10 x 10 ⁶ operating cycles
Switching frequency	≤ 100 / min.
Assembly	2 x M4
Connection	Plug M12 x 1, A-Code
Weight	≈ 0,17 kg
Installation position	operator definable
Protection type	IP65 acc. to EN 60529

Actuation
The actuator can be approached from all directions with exception of the axial direction.

Standards
DIN EN 60947-1, IEC 60947-1
DIN EN 60947-5-1, IEC 60947-5-1

Notes
<p>The degree of protection specified (IP code) applies only to a properly closed cover and the use of an equivalent cable gland with adequate cable.</p> <p>For use with the described ambient temperature, the plug and cable (fixed or flexible installation) must be suitable for at least the same temperature range.</p> <p>The plug must not be connected and disconnected under voltage.</p> <p>The mechanical life of the plug are 500 cycle of operation.</p> <p>To comply with the approvals need to use proper plugs and cables.</p>