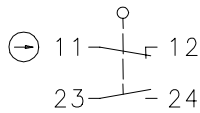


Series GC

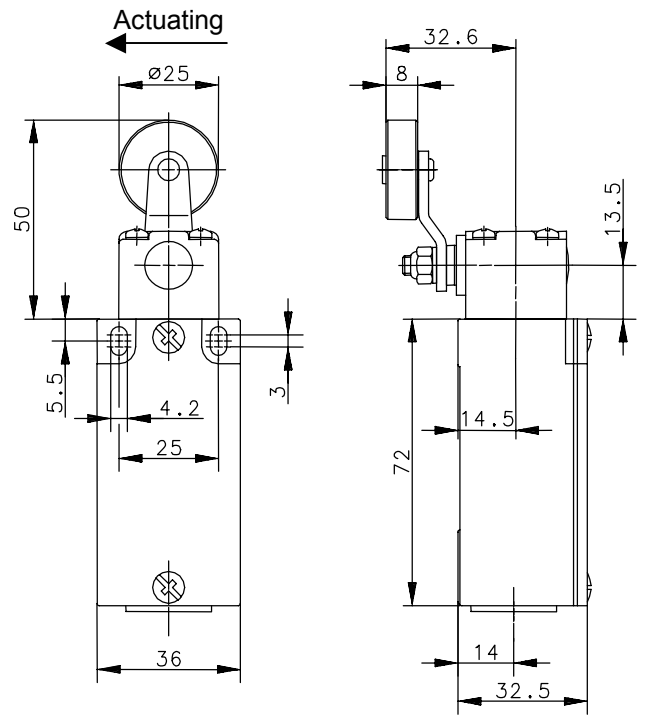
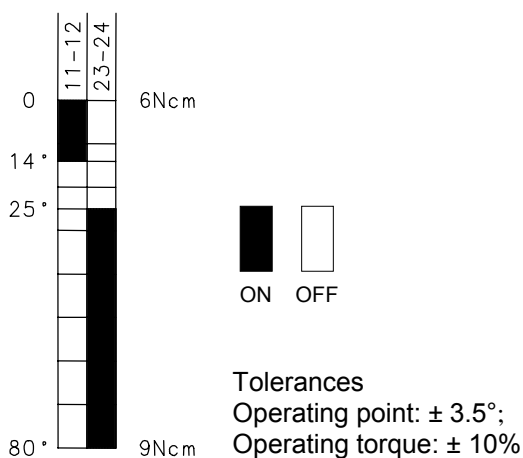
Description **GC-U1Z AHG/2 180GR**

Article number **6121135478**

Operating symbol



Operating diagram



Electrical data

Rated insulation voltage	U_i	400 VAC
Conv. thermal current	I_{the}	10A
Rated operational voltage	U_e	240V
Utilization category		AC-15, U_e/I_e 240V/3A
Positive opening NC contact	\ominus	IEC/EN 60947-5-1
Short-circuit protective device		Fuse 2A gL/gG IEC/EN 60947-5-1, Annex K
Protection class		I

This document will not become the contractual basis; the details included herein do not constitute any descriptions of expected conditions, so that warranties/claims for defects on account of possible variations of the actual qualities from the qualities described herein are explicitly excluded. All rights reserved. Specifications subject to change without notice!

Date of issue: 24.08.2004 / Page 1 of 2
Document: 6121135478_en / : 1 / Last update: 2395-04

Mechanical data

Enclosure	Die-cast aluminium
Cover	Sheet aluminium
Actuator	Lever arm housing (Zn-die cast), roller (PA 6.6)
Ambient air temperature	-30°C ... +80°C
Contact type	1 NC, 1 NO (Zb)
Mechanical life	10 x 10 ⁶ operating cycles
Switching frequency	≤ 100 / min.
Assembly	2 x M4
Connection	4 screw terminals (M3.5)
Conductor cross-sections	Solid: 0.5 ... 1.5mm ² Litz wire with ferrules: 0.5 ... 1.5mm ²
Cable entrance	1 x M20x1.5
Weight	≈ 0,20 kg
Installation position	Operator definable
Protection type	IP65 acc. to IEC/EN 60529

Actuation

The actuating device is preferably started from 1 side.

By loosening the 4 screws the actuation assembly can be rotated in 90 degree increments such that 4 actuation directions are possible.

The actuation assembly is to be again fastened to the housing using the 4 screws.

Standards

VDE 0660 T100, DIN EN 60947-1, IEC 60947-1
VDE 0660 T200, DIN EN 60947-5-1, IEC 60947-5-1

EU Conformity



Approvals

CSA (A300 same polarity)
UL (A300 same polarity)

Notes

The degree of protection (IP code) specified applies solely to a property closed cover and the use of an equivalent cable gland with adequate cable.