

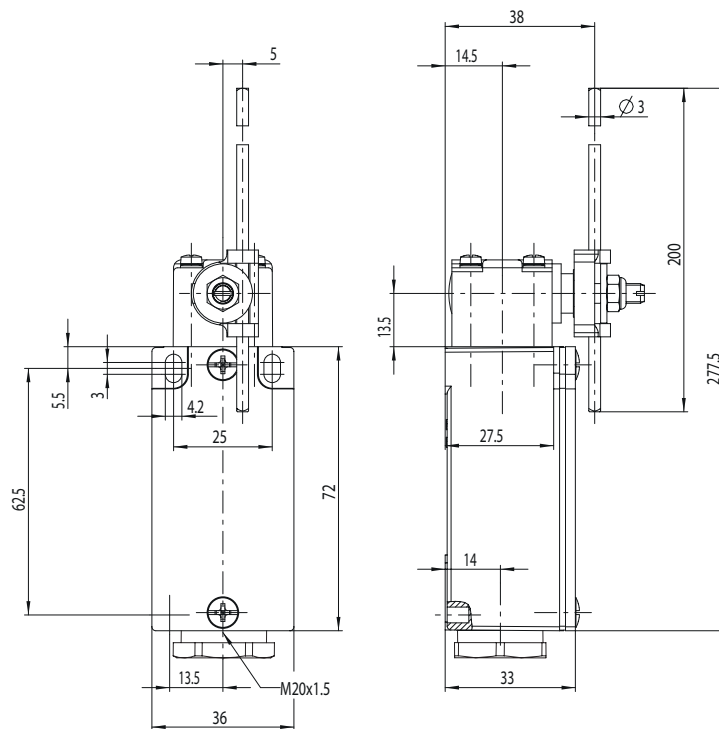
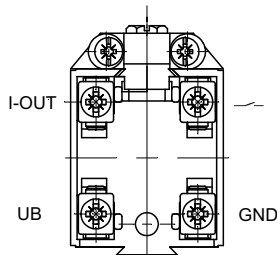
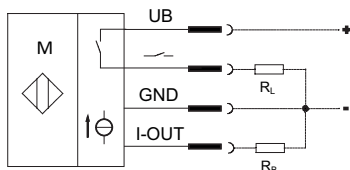
# Metal bodied limit switch

## Series GC

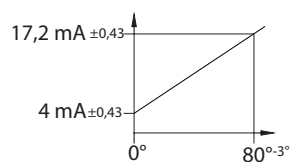
Description **GC-AI4-20 AD**

Article number **6121037011**

### Wiring diagram



### Characteristic



No torque increase allowed after end stop.

| <b>Electrical Data</b>                             |   |
|--|---|
| Rated operating voltage range                      | $U_B$ 12 - 26 V DC  |
| Idle current                                       | $I_o$ < 25 mA   |
| Short-circuit protection type<br>switching element | synchronising, permanently short-circuit and overload protected               |
| Reverse polarity                                   | yes   |
| Readiness delay                                    | $t_v$ < 50 ms   |
| Protection class                                   | I   |
| <b>Analogue output</b>                             |   |
| Current output                                     | 4 – 20 mA   |
| Linearity errors max.                              | ± 2,5 % from the end value (20 mA), $U_B$ and temperature at a constant level |
| Temperature errors max.                            | ± 10 % $U_B$ constant level   |
| Repetition accuracy                                | R ≤ 2 % from the end value (20 mA), $U_B$ and temperature at a constant level |
| max. load resistor                                 | $R_B$ 400 Ω   |
| <b>Switching output</b>                            |   |
| switching element function                         | S PNP NO (teachable)  |
| Hysteresis   | H ≈ 10 %  |
| Voltage drop                                       | $U_d$ ≤ 1,6 V   |
| Utilization category                               | DC 12   |
| Rated operational currents                         | $I_e$ 200 mA  |
| Minimum operating current                          | $I_m$ 1 mA  |
| Residual current                                   | $I_r$ < 0,1 mA  |

| <b>Mechanical data</b>   |   |
|--------------------------|---|
| Enclosure                | Die-cast aluminium  |
| Cover                    | Sheet aluminium   |
| Actuator                 | Turret head (Zn-die cast), AD-rod (St)  |
| Ambient air temperature  | -30 °C ... +80 °C   |
| Mechanical life          | 10 x 10 <sup>6</sup> switching cycles   |
| Switching frequency      | ≤ 100 / min.  |
| Assembly                 | 2 x M4  |
| Connection               | screw connections (M3,5)  |
| Conductor cross-sections | Solid: 0,5 – 1,5 mm <sup>2</sup><br>Litz wire with or without ferrules: 0,5 – 1,5 mm <sup>2</sup> |
| Cable entrance           | 1 x cable gland (M20 x 1,5)   |
| Weight                   | ≈ 0,21 kg   |
| Installation position    | operator definable  |
| Protection type          | IP65 acc. to IEC/EN 60529   |

| <b>Actuation</b>   |
|--|
| By loosening the 4 screws the actuation assembly can be rotated in 90 degree increments such that 4 actuation directions are possible. The actuation assembly is to be again fastened to the housing using the 4 screws. |

| <b>Standards</b> |
|------------------|
| EN 60947-5-7     |

| <b>EU Conformity <sup>1)</sup></b>           |
|--|
| acc. to directive 2014/30/EU (EMC-Directive) |

**Notes**

The degree of protection specified (IP code) applies only to a properly closed cover and the use of an equivalent cable gland with adequate cable.

<sup>1)</sup>To be conform with the EMV guideline (2014/30/EU) a shielded connection cable has to be used.