

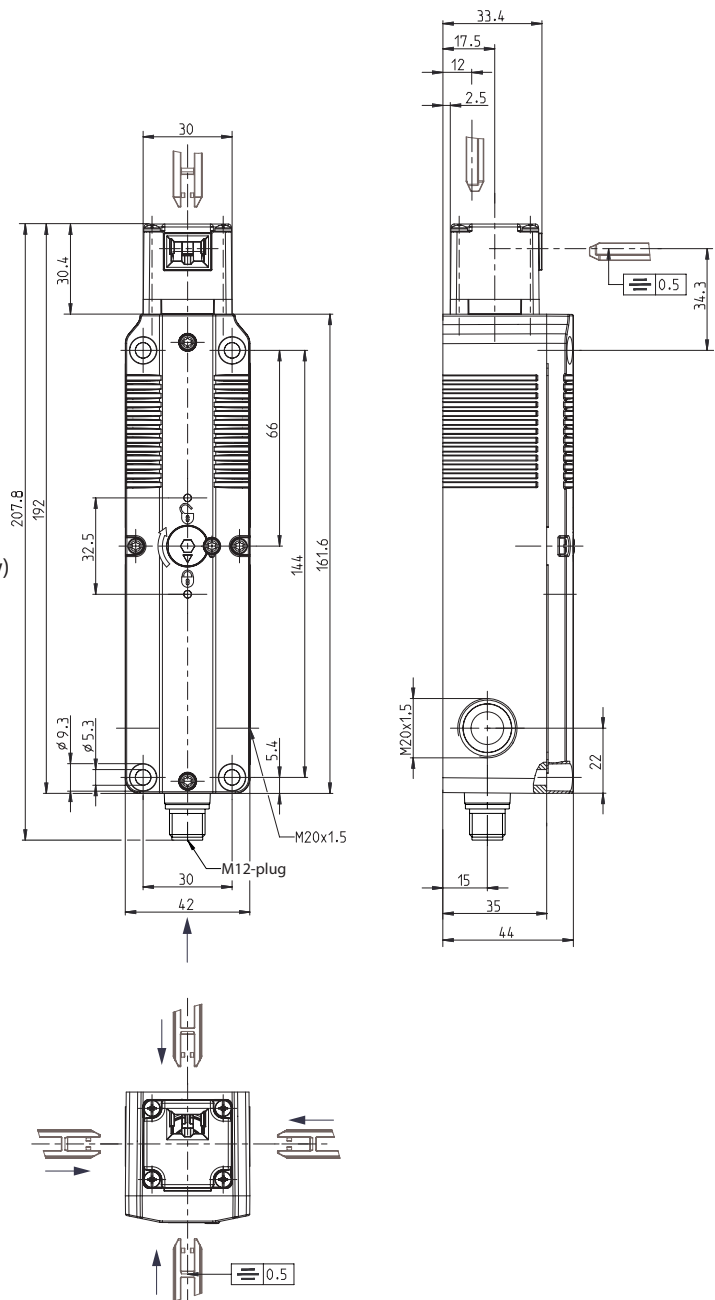
Safety switch Series SLC


Description **SLC-F-024-00/20-R4-02**

Article number **6118200196**

Position monitoring	
<p>Actuator inserted Guard closed and locked</p> <p>without current</p>	<p>Actuator inserted Guard closed and not locked</p> <p>with current</p>
<p>Actuator withdraw Guard not closed and not locked</p> <p>with or without current</p>	<p>Plug (In the direction of the arrow)</p>

The actuator is not included in the scope of delivery. It can only be purchased in conjunction with the safety switch.



Electrical data	
Protection class	II, totally insulated
Contact elements	
Rated insulation voltage	U_i 30 V
Rated impulse withstand voltage	U_{imp} 800 V
Rated operational voltage	U_e 24 V AC / DC
Conv. thermal current	I_{the} 2 A
Utilization category acc. to IEC	DC-13, U_e / I_e 24 V / 1,5 A
Utilization category acc. to UL / CSA	30 V / 2 A general use
Performance at min. current	1 mA, at 24V DC, U_{KD} 2,4V DC
Direct opening action	 according to IEC/EN 60947-5-1, Annex K
Short-circuit protective device	2 A gG
Rated conditional short-circuit current	400 A
Electro magnet	
Duty cycle	100 % ED (at E1; E2)
Temperature class	F (155 °C)
Permanent power consumption	6,7 VA (W)
Switch operations permanent	10 / min
Operating voltage	24 V AC / DC (+10 % / -15 %)

Mechanical data	
Enclosure	Thermoplastic, glass fibre reinforced (UL 94-V0)
Cover	Thermoplastic, glass fibre reinforced (UL 94-V0)
Actuating head	Thermoplastic, glass fibre reinforced / Zn-GD
Actuator	Separate actuator
Minimum actuating radius	R_{min} see separate actuators data sheet
Velocity for actuating	V_{max} 0,5 m/s
Extraction force	≤ 10 N
Guard locking principle	Spring force
Unlocking	a) Magnetic force b) Auxiliary release from front and back side
Holding force	F_{Zh} 1500 N (EN ISO 14119)
Ambient air temperature	-25 °C to +55 °C
Contact type	Guard lock: 2 NC
Switching principle	4 slow make and break contact elements
Mechanical life	1 x 10 ⁶ switching cycles
Assembly	4 x M5
Connection	Plug connector, M12-plug, 5-pin, A-coded, DIN EN 61076-2-101
Cable entrance	2 x M20x1,5
Weight	≈ 0,50 kg
Installation position	operator definable
Protection type	IP67 acc. to IEC/EN 60529 ; (UL 50 E / CSA C22.2) Type 6 indoor use only

ID for safety engineering	
B10d	2 x 10 ⁶ Cycles (at DC-13; 24 V; 0,1 A)

Standards	
	DIN EN 60947-5-1, DIN EN 60947-5-4
	UL 508 18th Edition, CSA-C22.2 No.14-18
	GS-ET-19 (DGUV)
	DIN EN ISO 14119
	DIN EN ISO 13849-1

EU Conformity	
	acc. to directive 2006/42/EC (Safety-of-Machinery-Directive)

Approvals	
	DGUV
	cCSA _{US}

Notes	
<p>The degree of protection specified (IP code) applies only to a properly closed cover and the use of an equivalent connector and when required the use of an equivalent cable gland with adequate cable.</p> <p>The connector and the cable (fix or flexible mounted) must at least be suitable for the described ambient air temperatures.</p> <p>The connector must not be connected or disconnected when voltage is applied.</p> <p>The mechanical life of the connector is 100 connection cycles.</p> <p>Suitable connector and cable must be used to meet approval requirements.</p> <p>The switch may not be used as a mechanical stop.</p> <p>In the event of a power failure, the guard remains locked.</p> <p>The control of the guard locking is to be connected through a cable gland on the side.</p> <p>For the connection to a series connection, the T-adapter 6075689191 SEU-1/0-T45-C-X-AB must be used.</p>	