

# Safety switch

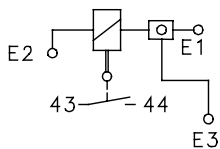
## Series SLK – with separate actuator

Description **SLK-FVTU24UC-73-ARX**

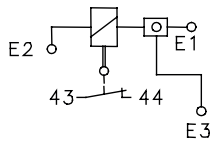
Article number **6118169053**

### Contact position Latching device

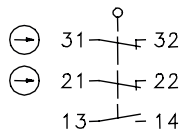
Electro magnet without current



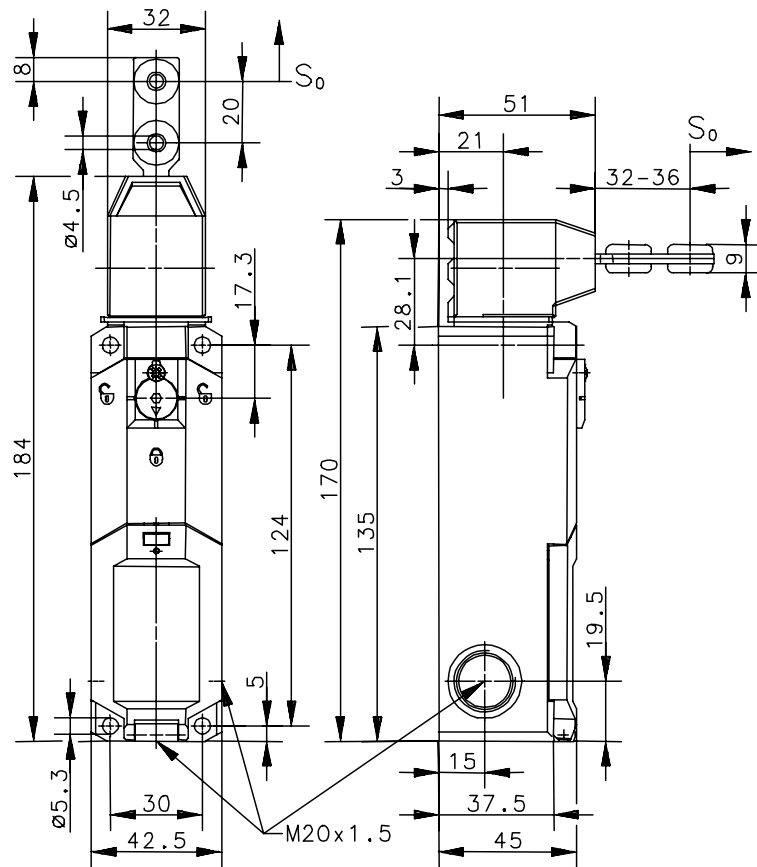
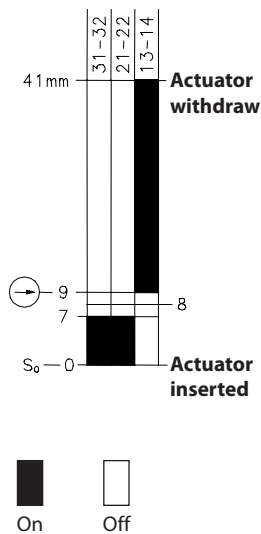
Electro magnet with current



### Contacts of Guard locking



### Operating diagram Guard locking



<b>Electrical data</b>	
Protection class	II, totally insulated
<b>Contact elements</b>	
Rated insulation voltage	$U_i$ 250 V
Conv. thermal current	$I_{the}$ 2,5 A
Utilization category	AC-15, $U_e / I_e$ 230 V / 2,5 A
Direct opening action	⊕ according to IEC/EN 60947-5-1, Annex K
Short-circuit protective device	4 A gG
<b>Electro magnets</b>	
Duty cycle	100 % ED
Temperature class	B (130 °C)
Inrush power consumption	56 VA (0,2 s)
Permanent power consumption	1,1 VA
Switch operations permanent	600 / h
Operating voltage	24 V AC/DC

<b>Mechanical data</b>	
Enclosure	Thermoplastic, glass fibre reinforced (UL 94-V0)
Cover	Thermoplastic, glass fibre reinforced (UL 94-V0)
Actuating head	Thermoplastic, glass fibre reinforced / Zn-GD
Actuator	Separate actuator (St/PA)
Minimum actuating radius	$R_{min}$ 400 mm
Velocity for actuating	$V_{max}$ 0,5 m/s
Extraction force	$\geq 27 \text{ N} \pm 15 \%$
Interlocking principle	Spring force
Unlocking	a) magnetic force b) auxiliary release
Hold on force	$F_{zh}$ $\leq 1500 \text{ N}$
Ambient air temperature	-25 °C ... +70 °C
Contact type	2 N.C., 2 N.O.
Switching principle	4 slow make and break contact elements
Mechanical life	$1 \times 10^6$ switching cycles (at max. 600 switch operations / h)
Assembly	4 x M5
Connection	Screw terminals
Conductor cross-sections	$\leq 0,75 \text{ mm}^2$ flexible (wire without/ with ferrule)
Cable entrance	3 x M20 x 1,5
Weight	$\approx 0,30 \text{ kg}$
Installation position	operator definable
Protection type	IP67 acc. to IEC/EN 60529

<b>ID for safety engineering</b>	
B10d	$2 \times 10^6$ cycles

<b>Actuation</b>	
4 different actuating directions achievable by rotating the actuating head. Changing between horizontal and vertical actuating direction by setting the actuating head in the requested direction.	

<b>Standards</b>	
	DIN EN 60947-5-1
	DIN EN ISO 13849-1
<b>EU Conformity</b>	
	acc. to directive 2014/35/EU (Low-Voltage-Directive)
<b>Approvals</b>	
	cCSAus B300 (same polarity)
<b>Notes</b>	
<p>The degree of protection (IP code) specified applies solely to a property closed cover and the use of an equivalent cable gland with adequate cable.</p> <p>The switch may not be used as a mechanical stop.</p> <p>When power is removed from the electromagnet (solenoid) the safety guard will be in locked position.</p> <p>To operate the manual release loosen the screw and turn the hexagonal nut 90°.</p>	