

Safety switch

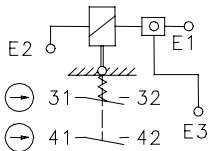
Series SLK – with separate actuator

Description **SLK-MVTU24UC-22-X**

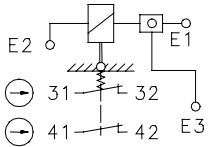
Article number **6118169048**

Contact position Latching device

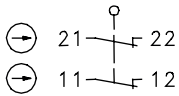
Electro magnet without current



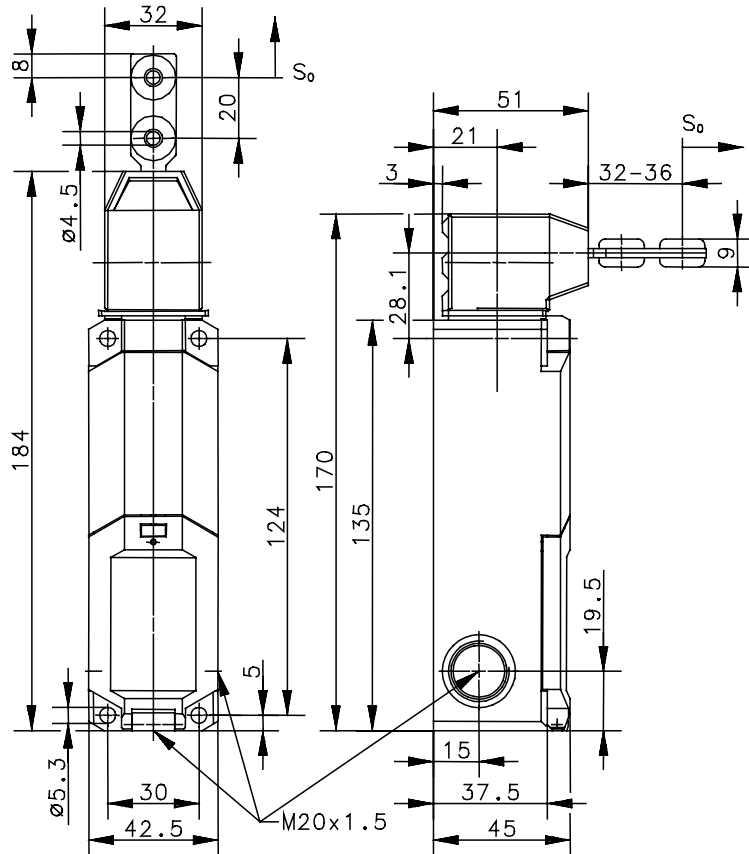
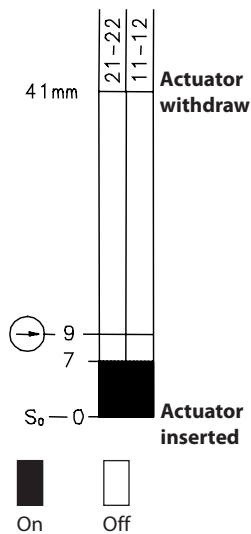
Electro magnet with current



Contacts of Guard locking



Operating diagram Guard locking



Electrical data	
Protection class	II, totally insulated
Contact elements	
Rated insulation voltage	U_i 250 V
Conv. thermal current	I_{the} 2,5 A
Utilization category	AC-15, U_e / I_e 230 V / 2,5 A
Direct opening action	⊕ according to IEC/EN 60947-5-1, Annex K
Short-circuit protective device	4 A gG
Electro magnets	
Duty cycle	100 % ED
Temperature class	B (130 °C)
Inrush power consumption	56 VA (0,2 s)
Permanent power consumption	1,1 VA
Switch operations permanent	600 / h
Operating voltage	24 V AC/DC

Mechanical data	
Enclosure	Thermoplastic, glass fibre reinforced (UL 94-V0)
Cover	Thermoplastic, glass fibre reinforced (UL 94-V0)
Actuating head	Thermoplastic, glass fibre reinforced / Zn-GD
Actuator	Separate actuator (St/PA)
Minimum actuating radius	R_{min} 400 mm
Velocity for actuating	V_{max} 0,5 m/s
Extraction force	$\geq 27 \text{ N} \pm 15 \%$
Interlocking principle	Magnetic force
Unlocking	Spring force
Hold on force	F_{zh} $\leq 1500 \text{ N}$
Ambient air temperature	-25 °C ... +70 °C
Contact type	4 N.C.
Switching principle	4 slow make and break contact elements
Mechanical life	1×10^6 switching cycles (at max. 600 switch operations / h)
Assembly	4 x M5
Connection	Spring clamp terminal, E3: Screw terminal
Conductor cross-sections	$\leq 1,5 \text{ mm}^2$ flexible (wire without/ with ferrule)
Cable entrance	3 x M20 x 1,5
Weight	$\approx 0,30 \text{ kg}$
Installation position	operator definable
Protection type	IP67 acc. to IEC/EN 60529

ID for safety engineering	
B10d	2×10^6 cycles

Actuation
4 different actuating directions achievable by rotating the actuating head. Changing between horizontal and vertical actuating direction by setting the actuating head in the requested direction.

Standards
DIN EN 60947-5-1
DIN EN ISO 13849-1

EU Conformity
acc. to directive 2014/35/EU (Low-Voltage-Directive)

Approvals
cCSA _{us} B300 (same polarity)

Notes
<p>The degree of protection (IP code) specified applies solely to a property closed cover and the use of an equivalent cable gland with adequate cable.</p> <p>The switch may not be used as a mechanical stop.</p> <p>When power is removed from the electromagnet (solenoid) the safety guard will not be in locked position.</p>