

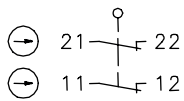
# Safety switch

## Series SLK – with separate actuator

Description **SLK-FVTU24-230MC-22ERRX**

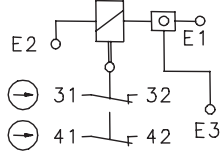
Article number **6118169005**

### Position monitoring of guard locking

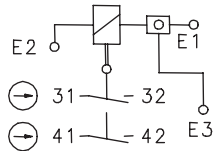


### Termination electromagnet with contact position

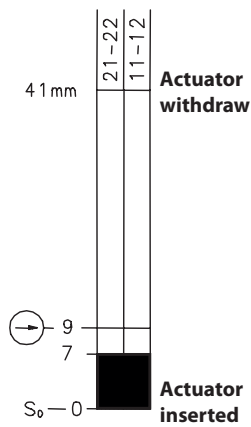
E1/E3, E2 without current



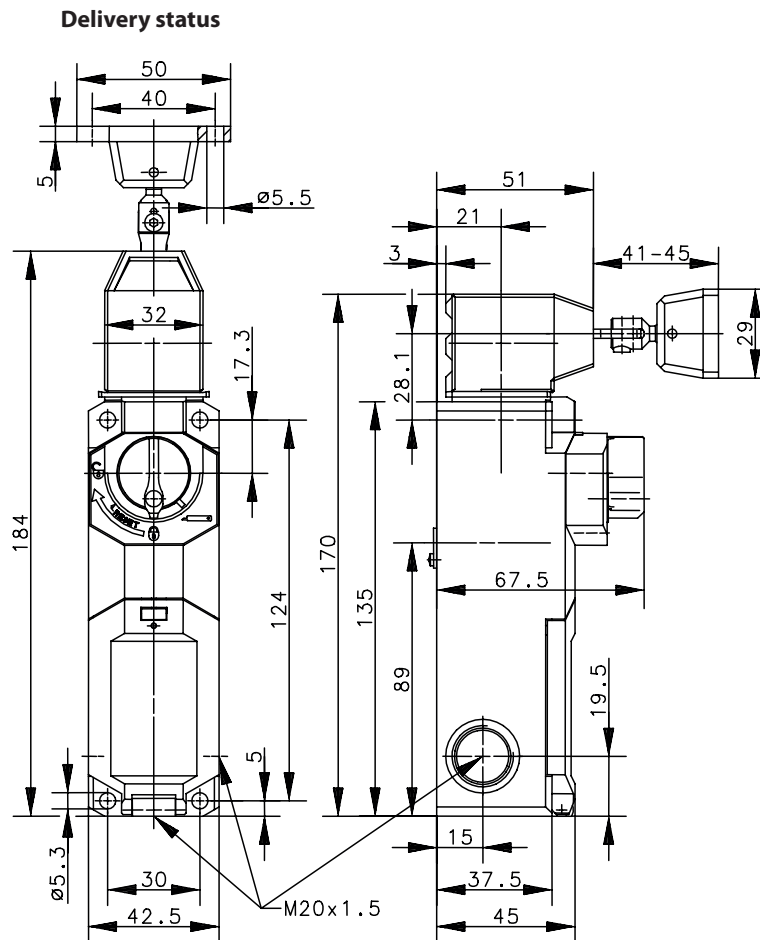
### E1/E3, E2 with current



### Operating diagram



On  
 Off  
 Tolerances:  
 Actuating force:  $\pm 15\%$



Electrical data	
Protection class	II, totally insulated
Contact elements	
Rated insulation voltage	$U_i$ 250 V
Conv. thermal current	$I_{the}$ 2,5 A
Utilization category	AC-15, $U_e / I_e$ 230 V / 2,5 A
Direct opening action	⊕ according to IEC/EN 60947-5-1, Annex K
Short-circuit protective device	4 A gG
Electro magnets	
Duty cycle	100 % ED (at E1/E3; E2)
Temperature class	B (130 °C)
Inrush power consumption	56 VA (0,2 s)
Permanent power consumption	1,1 VA
Switch operations permanent	600 / h
Operating voltage	24 V DC; 24, 110, 230 V AC

Mechanical data	
Enclosure	Thermoplastic, glass fibre reinforced (UL 94-V0)
Cover	Thermoplastic, glass fibre reinforced (UL 94-V0)
Actuating head	Thermoplastic, glass fibre reinforced / Zn-GD
Actuator	Separate actuator (Steel / PA)
Minimum actuating radius	$R_{min}$ 150 mm
Velocity for actuating	$V_{max}$ 0,5 m/s
Extraction force	≥ 27 N
Interlocking principle	Spring force
Unlocking	a) magnetic force b) auxiliary release and emergency release
Hold on force	$F_{Zh}$ ≤ 1500 N
Ambient air temperature	-25 °C ... +70 °C
Contact type	4 N.C.
Switching principle	4 slow make and break contact elements
Mechanical life	1 x 10 <sup>6</sup> switching cycles (at max. 600 switch operations / h)
Assembly	4 x M5
Connection	Spring clamp terminal, E3: Screw terminal
Conductor cross-sections	≤ 1,5 mm <sup>2</sup> flexible (wire without/ with ferrule)
Cable entrance	3 x M20 x 1,5
Weight	≈ 0,49 kg
Installation position	operator definable
Protection type	IP67 acc. to IEC/EN 60529

ID for safety engineering	
B10d	2 x 10 <sup>6</sup> cycles

Actuation	
4 different actuating directions achievable by rotating the actuating head. Changing between horizontal and vertical actuating direction by setting the actuating head in the requested direction.	

<b>Standards</b>	
	DIN EN 60947-5-1
	DIN EN ISO 13849-1
<b>EU Conformity</b>	
	acc. to directive 2014/35/EU (Low-Voltage-Directive)
<b>Approvals</b>	
	cCSA <sub>US</sub> B300 (same polarity)
<b>Notes</b>	
<p>The degree of protection (IP code) specified applies solely to a property closed cover and the use of an equivalent cable gland with adequate cable.</p> <p>The switch may not be used as a mechanical stop.</p> <p>When power is removed from the electromagnet (solenoid) the safety guard will be in locked position.</p> <p>The emergency release function is activated by rotating the rotary handle 90° clockwise. The supplied key is necessary to reset the emergency release function.</p> <p>To operate the backside auxiliary release loosen the screw, swivel the cover and turn the hexagonal nut into unlocked position.</p>	