

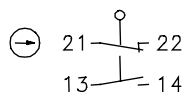
Safety switch

Series SLK – with separate actuator

Description **SLK-FVTU24UC-55-ARFX**

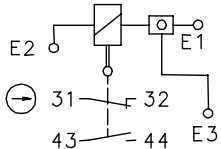
Article number **6118119104**

Position monitoring of guard locking

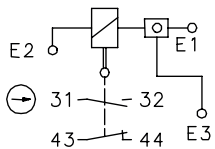


Termination electromagnet with contact position

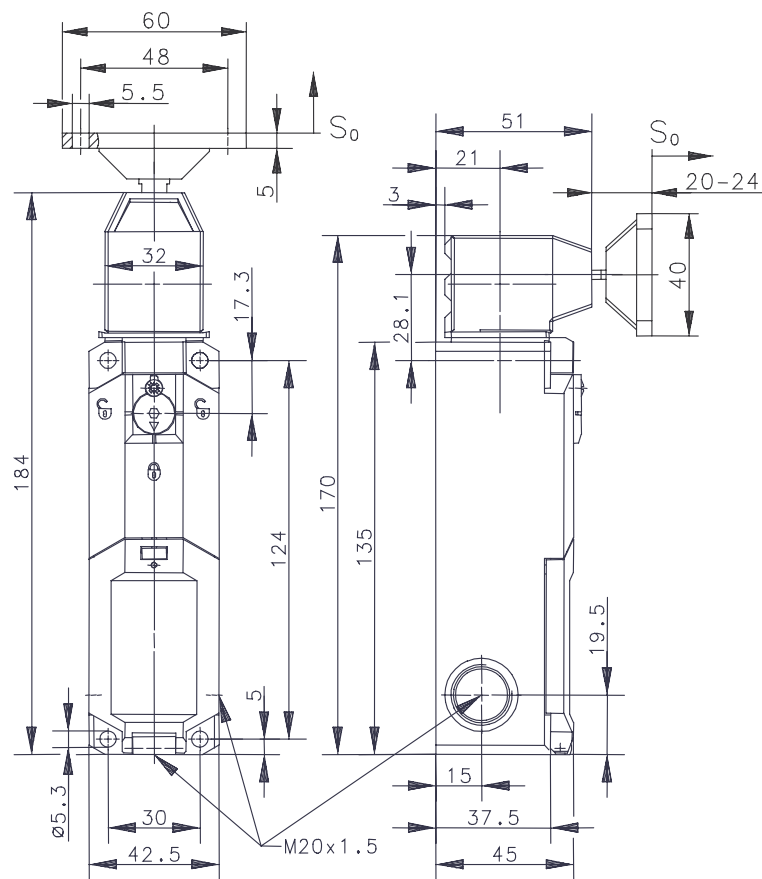
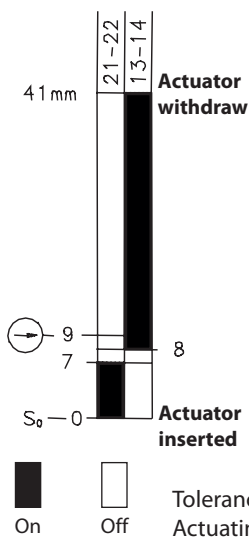
E1/E3, E2 without current



E1/E3, E2 with current



Operating diagram



Electrical data	
Protection class	II, totally insulated
Contact elements	
Rated insulation voltage	U_i 250 V
Conv. thermal current	I_{the} 2,5 A
Utilization category	AC-15, U_e / I_e 230 V / 2,5 A
Direct opening action	⊕ according to IEC/EN 60947-5-1, Annex K
Short-circuit protective device	4 A gG
Electro magnets	
Duty cycle	100 % ED (at E1/E3; E2)
Temperature class	B (130 °C)
Inrush power consumption	56 VA (0,2 s)
Permanent power consumption	1,1 VA
Switch operations permanent	600 / h
Operating voltage	24 V AC/DC

Mechanical data	
Enclosure	Thermoplastic, glass fibre reinforced (UL 94-V0)
Cover	Thermoplastic, glass fibre reinforced (UL 94-V0)
Actuating head	Thermoplastic, glass fibre reinforced / Zn-GD
Actuator	Separate actuator (St/PA)
Minimum actuating radius	R_{min} 350 mm
Velocity for actuating	V_{max} 0,5 m/s
Extraction force	≥ 27 N
Interlocking principle	Spring force
Unlocking	a) magnetic force b) auxiliary release
Hold on force	F_{zh} ≤ 1500 N
Ambient air temperature	-25 °C ... +70 °C
Contact type	2 N.C., 2 N.O.
Switching principle	4 slow make and break contact elements
Mechanical life	1 x 10 ⁶ switching cycles (at max. 600 switch operations / h)
Assembly	4 x M5
Connection	Screw terminals; screw terminal 11: for external power supply
Conductor cross-sections	≤ 0,75mm ² flexible; wire without/ with ferrule; Tightening torque 0,4Nm
Cable entrance	3 x M20 x 1,5
Weight	≈ 0,43 kg
Installation position	operator definable
Protection type	IP67 acc. to IEC/EN 60529

ID for safety engineering	
B10d	2 x 10 ⁶ cycles

Actuation	
4 different actuating directions achievable by rotating the actuating head. Changing between horizontal and vertical actuating direction by setting the actuating head in the requested direction.	

Standards	
	DIN EN 60947-5-1
	DIN EN ISO 13849-1
EU Conformity	
	acc. to directive 2014/35/EU (Low-Voltage-Directive)
Approvals	
	cCSA _{us} B300 (same polarity)
Notes	
<p>The degree of protection (IP code) specified applies solely to a property closed cover and the use of an equivalent cable gland with adequate cable.</p> <p>The switch may not be used as a mechanical stop.</p> <p>When power is removed from the electromagnet (solenoid) the safety guard will be in locked position.</p> <p>To operate the manual release loosen the screw and turn the hexagonal nut 90°.</p>	