



Bernstein

Bernstein AG
Postfach 1164
D-32437 Porta Westfalica

Technical data sheet: Safety switch

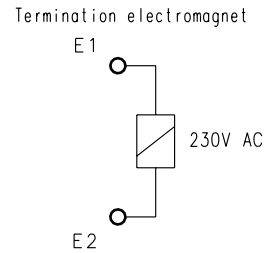
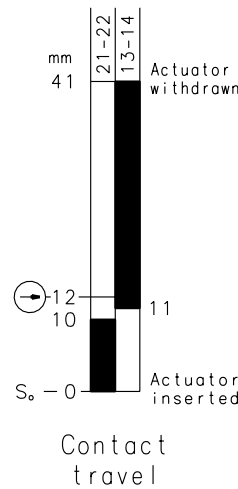
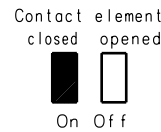
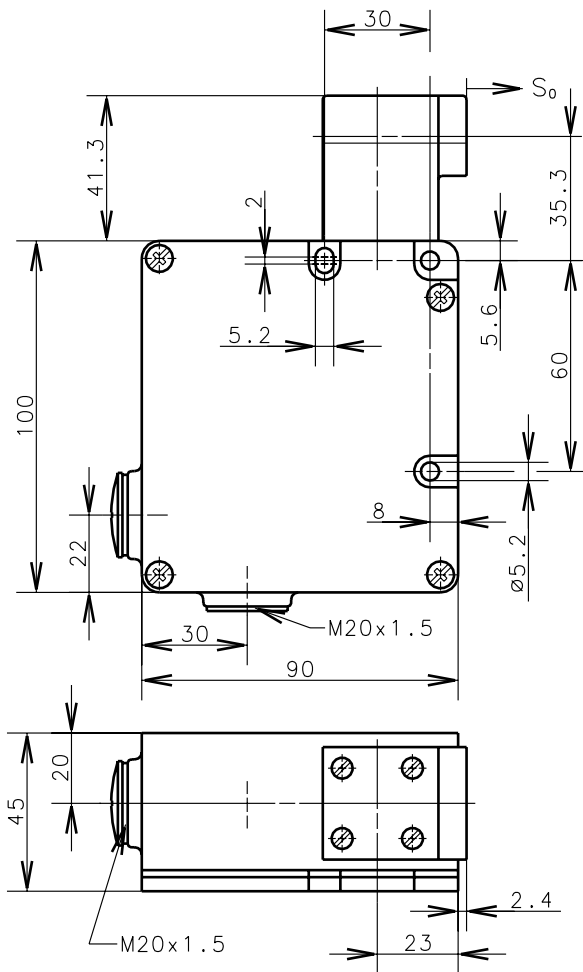
Metal encapsulated, 2 x M20x1.5, Locked by magnetic force

Type: SLM-MVTW230AC-55-X

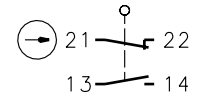
Art.-No.: 611.7119.031

Date: 02.08.02

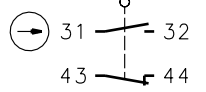
MODEL SI-QM100BMG
P/N 49465



Position monitoring of guard locking (actuator inserted)



Position monitoring of electromagnet (actuator inserted)



$F_{min.} = 30N$

Tensile force

Switch diagram

Contact operating force tolerance $\pm 15\%$

Schutzvermerk nach DIN 34 beachten
Copyright reserved

Mechanical features:	Electrical features:	Approvals:
Enclosure: Al-GD	Contacts elements	UL B300, R300
Cover: Al-sheet	Rated insulation voltage U_i : 250V	CSA B300, R300
Actuating head: Al-GD	Utilisation categorie: AC 12 250 V/10 A	
Separated actuator: without actuator		
Ambient air temperature: -30°C up to +60°C	Utilisation categorie: AC 15 230 V/4 A	
Contact type: 2NC; 2NO (Zb)		Standards:
Switching principle: 4 slow make and break contact elements	Short circuit protection: DIAZED-safety implants Operating categorie gL/gG 10A TDz, 16A Dz	VDE 0660 T100, EN 60947-1 VDE 0660 T200, EN 60947-5-1
Mechanical life: 1×10^6 switch operations	Electromagnet:	IEC 60947-5-1
Velocity for actuating: $v_{max.} = 1.5m/s$	Duty cycle: 100 % ED	GS-ET 19
Mounting according DIN EN 50041 3 screws M5	Temperature class: B	
	Power consumption: $P_{20} = 5.2W$	Remarks:
Termination cross section: $1mm^2$ flex.	Operating voltage: 230V AC	The rated protection class (IP-Code) is valid only at closed cover and when using an at least equivalent cable gland.
Terminals: 10 screws M3.5		
2 non-fused earthed conductor M4		
Cable entry size: 2 x M20x1.5		
Weight: approx. 0,83 kg	Safety instructions	
Protection class (IP-Code): IP67 according to EN 60529; DIN VDE 0470 T1	<ul style="list-style-type: none"> Do not use this safety switch as a mechanical end stop! In case of power interruption the position of rest of the protection apparatus will not be remain. Protection against self-starting should be provided. Four approach directions for actuator are available. Turning the actuator head ($4 \times 90^\circ$) only when the actuator is plugged in. The actuator head is to be again fastened reliable to the housing using all four screws! Pre-travel actuator (compensation of shock and vibrations) approx. 9 mm. 	
Build in location: selectable		
Locking principle: magnetic force		
Unlocking: spring force		
Locking force: 1000 N retaining force in locked position		