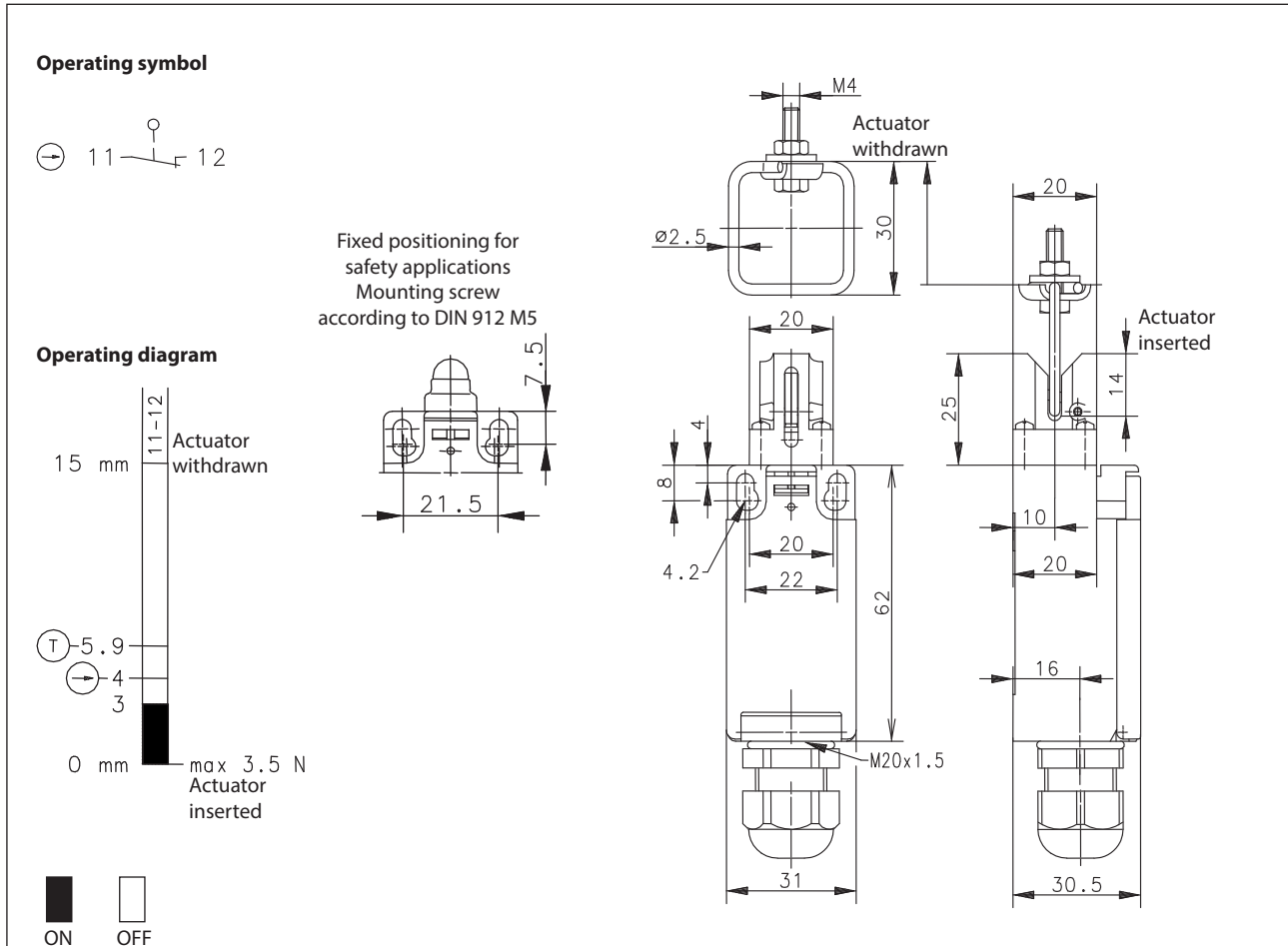


# Plastic bodied limit switch Series I88

Description **I88-A1Z KS**

Article number **6116869756**



Electrical Data		
Rated insulation voltage	$U_i$	250 V AC
Conv. thermal current	$I_{the}$	10 A
Rated operational voltage	$U_e$	240 V
Utilization category		AC-15, $U_e/I_e$ 240 V / 3 A
Direct opening action	$\ominus$	acc. to IEC/EN 60947-5-1, annex K
Gap between NC-contacts	$\text{Ⓢ}$	DIN EN 81
Short-circuit protective device		Fuse 10 A gG
Protection class		II, totally insulated

Electrical data (Lifts)	
Rated value	$U_e/I_e$ 230 V / 2 A AC $U_e/I_e$ 200 V / 0,5 A DC

Mechanical data	
Enclosure	Thermoplastic, glass fibre reinforced (UL 94-V0)
Cover	Thermoplastic, glass fibre reinforced (UL 94-V0)
Actuator	Separate actuator (steel)
Ambient air temperature	-30 °C ... +80 °C
Contact type	1 NC (Y)
Mechanical life	1 x 10 <sup>6</sup> operating cycles
Switching frequency	≤ 30 / min.
Assembly	2 x M4
Connection	2 screw connections (M3,5)
Conductor cross-sections	Solid: 0,5 ... 1,5 mm <sup>2</sup> or Litz wire with ferrules: 0,5 ... 1,5 mm <sup>2</sup>
Cable entrance	1 x cable gland M20 x 1,5 (clamp range 5 - 10 mm)
Weight	≈ 0,07 kg
Installation position	operator definable
Protection type	IP65 acc. to IEC/EN 60529

ID for safety engineering	
B10d	2 x 10 <sup>6</sup> switching cycles

Standards	
	VDE 0660 T100, DIN EN 60947-1, IEC 60947-1
	VDE 0660 T200, DIN EN 60947-5-1, IEC 60947-5-1
	DIN EN 81
	DIN EN ISO 13849-1

EU Conformity	
	acc. to directive 95/16/EWG

Notes	
The specified protection classification (IP code) applies only when the cover is closed and the appropriate cable is used, in accordance with the clamping range of the above mentioned cable gland.	