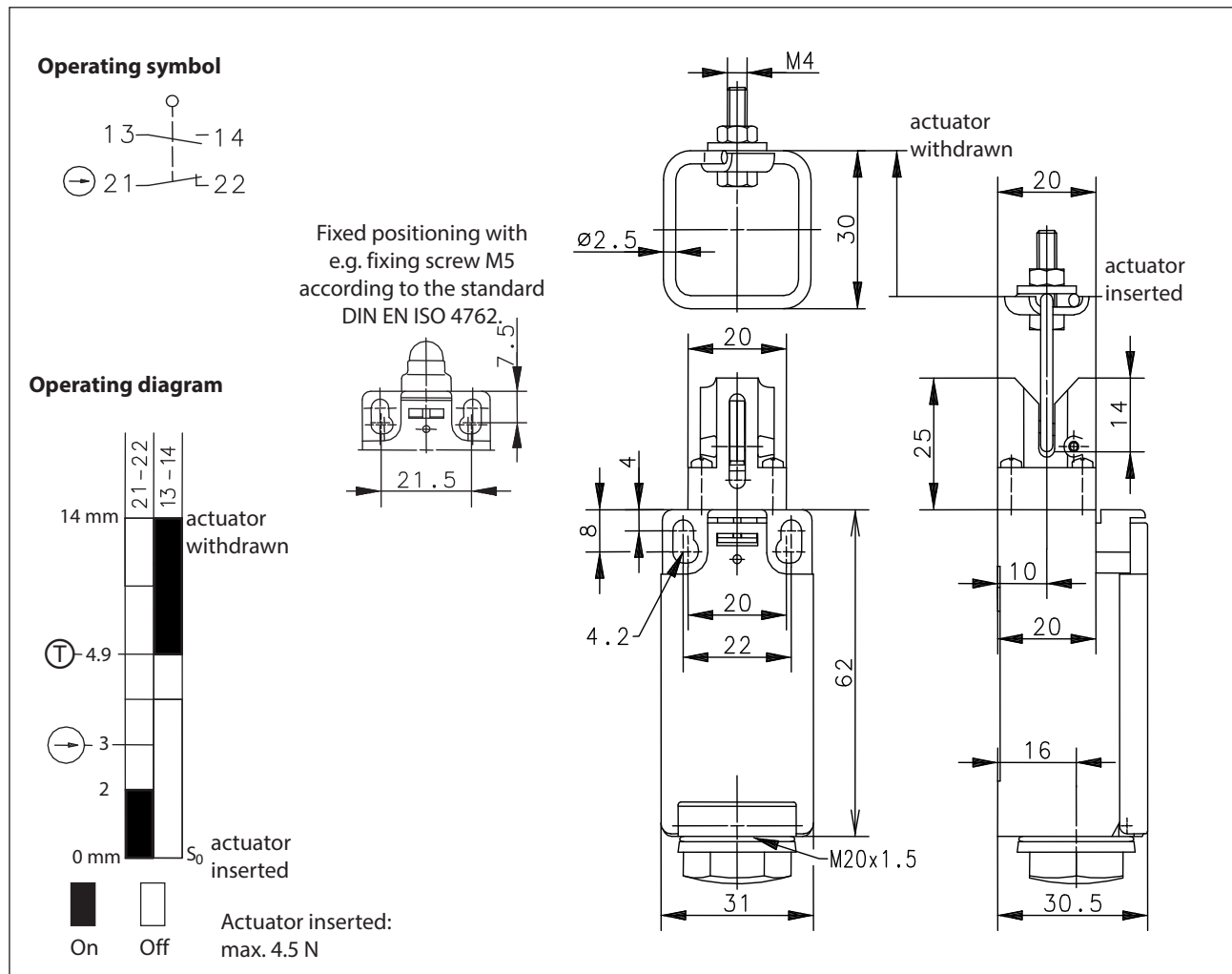


Plastic bodied limit switch Series I88

Description **I88-U1Z KS**

Article number **6116819813**



Electrical Data

Rated insulation voltage	U_i	250 V AC
Conv. thermal current	I_{the}	10 A
Rated operational voltage	U_e	240 V
Utilization category		AC-15, U_e/I_e 240 V / 3 A
Standards		acc. to EN 60947-1; EN 60947-5-1; DIN EN 81
Direct opening action	\rightarrow	acc. to IEC/EN 60947-5-1, annex K
Gap between NC-contacts	Ⓢ	DIN EN 81
Short-circuit protective device		Fuse 10 A gG
Protection class		II (totally insulated)

Mechanical data	
Enclosure	Thermoplastic, glass fibre reinforced (UL 94-V0)
Cover	Thermoplastic, glass fibre reinforced (UL 94-V0)
Actuator	Separate actuator (steel)
Ambient air temperature	-30 °C ... +80 °C
Contact type	1 NC, 1 NO (Zb)
Mechanical life	1 x 10 ⁶ operating cycles (applies only to linear starting on page 1)
Switching frequency	≤ 30 / min.
Assembly	2 x M4
Connection	4 screw connections (M3,5)
Conductor cross-sections	Solid: 0,5 ... 1,5 mm ² or Litz wire with ferrules: 0,5 ... 1,5 mm ²
Cable entrance	1 x self-sealing grommet M20 x 1,5 (closed)
Weight	≈ 0,07 kg
Installation position	operator definable
Protection type	IP54 acc. to IEC/EN 60529

Standards	
	VDE 0660 T100, DIN EN 60947-1, IEC 60947-1
	VDE 0660 T200, DIN EN 60947-5-1, IEC 60947-5-1
	DIN EN 81-1; DIN EN 81-2; DIN EN 81-20; DIN EN 81-50

EU Conformity	
	acc. to directive 2014/35/EU

Approvals	
	cCSA _{US} A300 (same polarity)

Notes	
The degree of protection specified (IP code) applies only to a properly closed cover.	