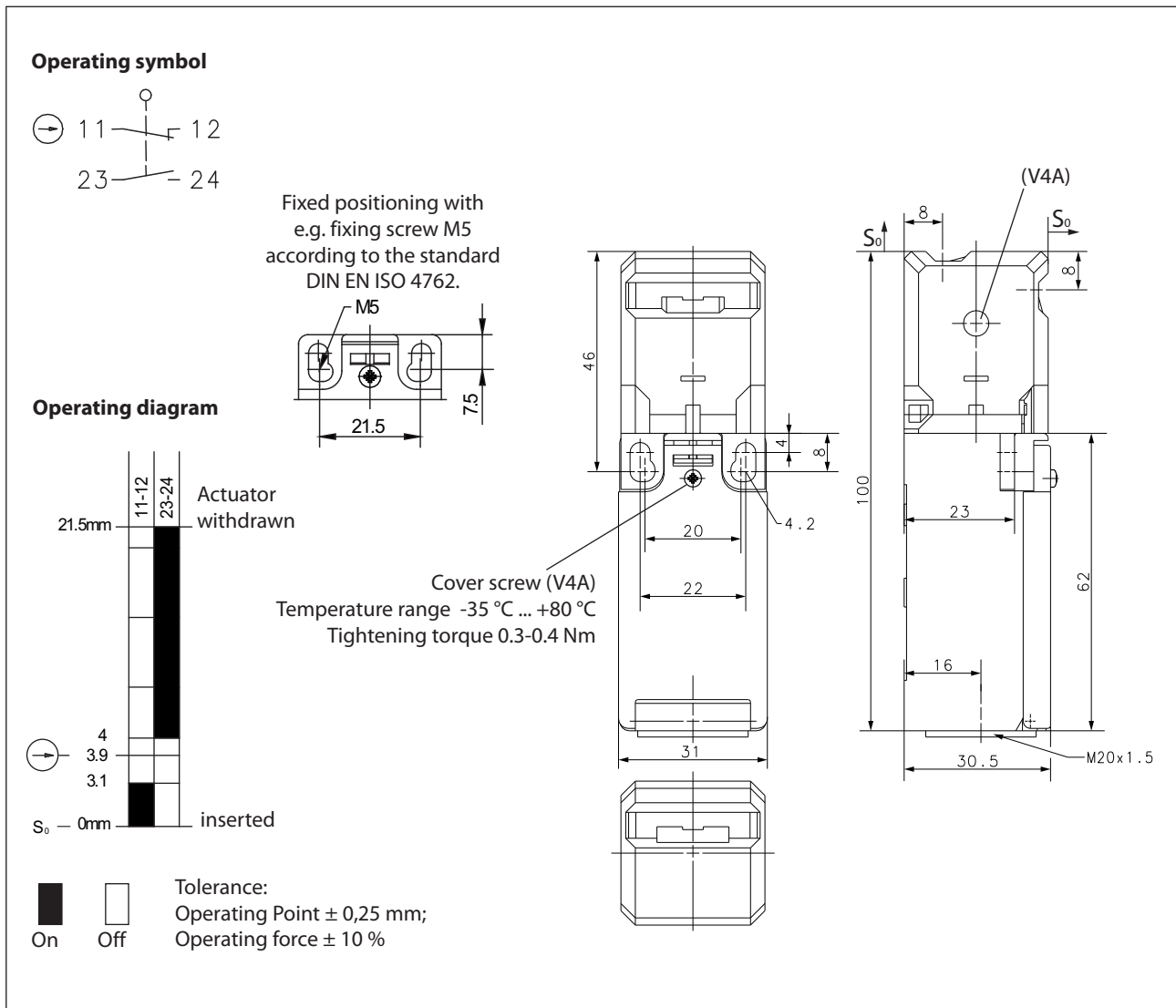


## Safety switch Series SKI – with separate actuator

Description **SKI-U1Z**

Article number **6116819267**

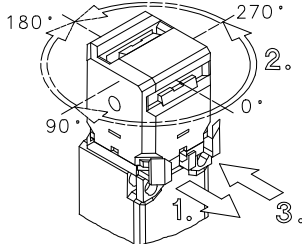


Electrical Data		
Rated insulation voltage	$U_i$	250 V AC
Conv. thermal current	$I_{the}$	10 A
Utilization category		AC-15, $U_e/I_e$ 240 V / 3 A
Direct opening action		acc. to IEC/EN 60947-5-1, annex K
Short-circuit protective device		Fuse 10 A gG
Protection class		II, totally insulated

Mechanical data	
Enclosure	Thermoplastic, glass fibre reinforced (UL 94-V0)
Cover	Thermoplastic, glass fibre reinforced (UL 94-V0)
Actuator	Separate actuator - not included in the scope of delivery
Extraction force	10 N
Ambient air temperature	-30 °C ... +80 °C for $c_{CSA_{US}}$ -35 °C ... +80 °C Indoor without ice formation, impact load max. 4 Joule
Contact type	1 NC, 1 NO (Zb)
Mechanical life	1 x 10 <sup>6</sup> operating cycles
Switching frequency	≤ 30 / min.
Assembly	Safety switch 2 x M4 Actuator 2 x M4
Connection	4 screw connections (M3,5)
Conductor cross-sections	Solid: 0,5 ... 1,5 mm <sup>2</sup> or Litz wire with ferrules: 0,5 ... 1,5 mm <sup>2</sup>
Cable entrance	1 x M20 x 1,5
Weight	≈ 0,11 kg
Installation position	operator definable
Protection type	IP65 acc. to IEC/EN 60529

ID for safety engineering	
B10d	2 x 10 <sup>6</sup> cycles

Actuation	
To achieve the 8 different actuator points please follow the next instructions	
(1)	pull fixing clamp
(2)	turn actuator
(3)	push fixing clamp



Standards	
	VDE 0660 T100, DIN EN 60947-1, IEC 60947-1
	VDE 0660 T200, DIN EN 60947-5-1, IEC 60947-5-1
	DIN EN ISO 13849-1

EU Conformity	
	acc. to directive 2006/42/EC (Safety-of-Machinery-Directive)

Approvals	
	$c_{CSA_{US}}$ A300 (same polarity, indoor use only)

**Notes**

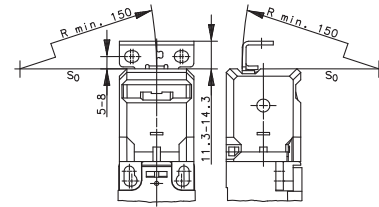
The degree of protection (IP code) specified applies solely to a properly closed cover and the use of an equivalent cable gland with adequate cable.

The switch may not be used as a mechanical stop.

Radial actuation may reduce the mechanical life.

The min. radius refers to a pivot at the top of the cap (S0).

Tapped holes not in use must be closed with blind plugs.



The safety switch is designed for use in industrial environments.

In case of deviating use conditions, the suitability must be checked by the customer.

The stated approvals are only valid with a suitable actuating element and within the specified temperature range.

Special feature: Cover screw and semi-tubular rivet made of V4A.