

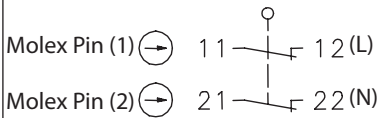
# Safety switch

## Series SKT- with separate actuator

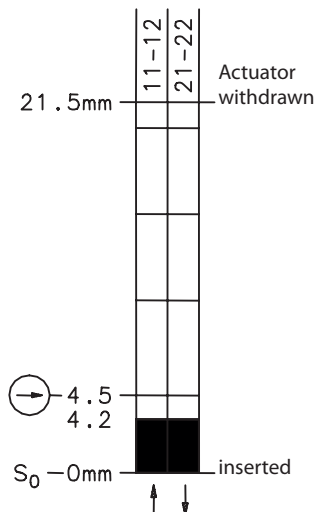
Description **SKT-A2Z M3**

Article number **6116469280**

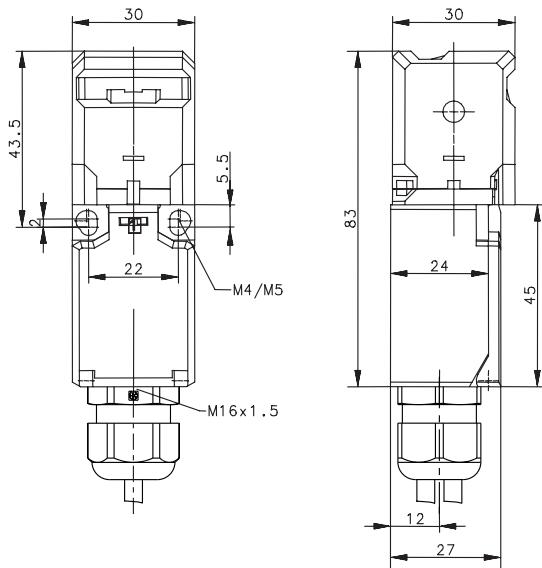
### Operating symbol



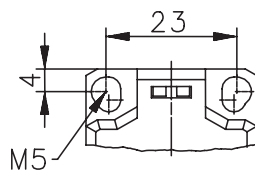
### Operating diagram



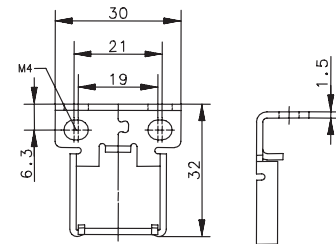
On  
 Off  
 Tolerance:  
 Operating Point  $\pm 0,25$  mm;  
 Operating force  $\pm 10$  %



Fixed positioning with e.g. fixing screw M5 according to the standard DIN EN ISO 4762.

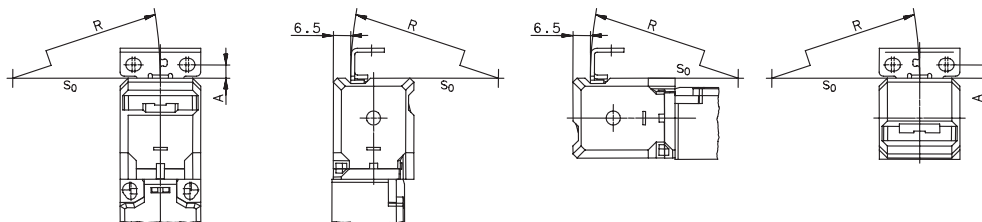


### Actuator M3



To prevent manipulation of the actuator, The unclosed safety screw must be used (M4x8)

### Radial actuation / dimensions

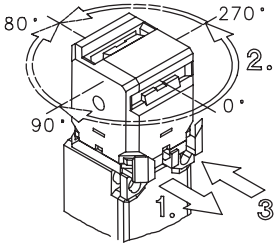


$5 \text{ mm} \leq A \leq 8 \text{ mm}$ ,  $R \geq 150 \text{ mm}$   
 The min. radius refers to a pivot at the top of the cap ( $S_0$ )

Electrical Data (applies to switches without cable and plug connector)		
Rated insulation voltage	$U_i$	250 V
Conv. thermal current	$I_{the}$	10 A
Rated operational voltage	$U_e$	240 V AC; 250 V DC
Utilization category		AC-15, $U_e / I_e$ 240 V / 3 A; DC-13, $U_e / I_e$ 250 V / 0,27 A
Direct opening action	$\ominus$	according to IEC/EN 60947-5-1, Annex K
Short-circuit protective device		Fuse 6 A gG
Protection class		II, totally insulated

Mechanical data (applies to switches without cable and plug connector)		
Enclosure		PBT
Cover		PA 6.6
Actuator		Separate actuator (St-stainless steel)
Extraction force		10 N
Ambient air temperature		-30 °C ... +80 °C
Contact type		2 NC (Zb)
Mechanical life		1 x 10 <sup>6</sup> switch operations
Switching frequency		≤ 30 / min.
Assembly	Safety switch	2 x M4 or M5
	Actuator	2 x M4 (supplied)
Connection		screw connections (M3,5)
Conductor cross-sections		Solid: 0,5 ... 1,5 mm <sup>2</sup> Litz wire with ferrules: 0,5 ... 1,5 mm <sup>2</sup>
Cable entrance		1 x M16 x 1,5
Weight		≈ 0,09 kg
Protection type		IP65 acc. to IEC/EN 60529

ID for safety engineering	
B10d	2 x 10 <sup>6</sup> cycles

Actuation	
<ol style="list-style-type: none"> <li>1. draw clasp out</li> <li>2. turn actuator head (4 x 90° rotation)</li> <li>3. press-on clasp</li> </ol>	

Standards	
	DIN EN 60947-5-1
	DIN EN ISO 13849-1

EU Conformity	
	acc. to directive 2014/35/EU (Low-Voltage-Directive)

### Notes

Radial actuation may reduce the mechanical life.  
Unused actuator entry slot must be covered by the plug.  
The switch may not be used as a mechanical stop.

The degree of protection (IP code) specified applies solely to a properly closed cover and the use of an equivalent connector.  
The connector and the cable (fix or flexible mounted) must at least be suitable for the described ambient air temperatures.  
The connector must not be connected or disconnected when voltage is applied.

Cable and plugs Customer-specific.  
Customer: Sprick GmbH