

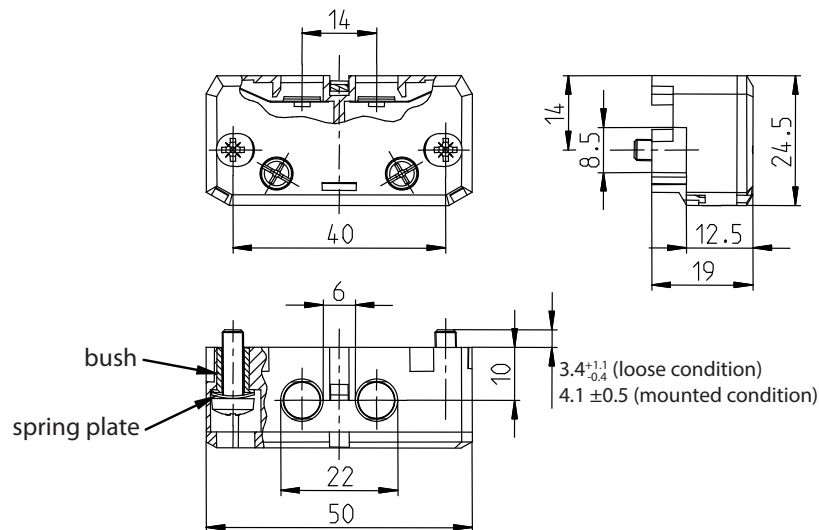
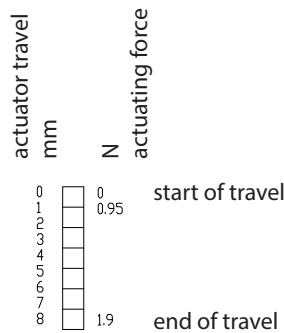
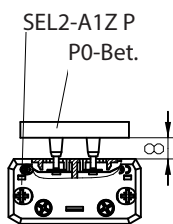
## Safety switch

Series SEL – with separate actuator

Description SEL2-A1Z P

Article number 6116369250

### Operating diagram



Tolerance:  
Actuating force ±10%

### Electrical data

Rated insulation voltage	$U_i$	500 V
Rated impulse withstand voltage	$U_{imp}$	2.5 kV
Conv. thermal current	$I_{the}$	4 A
Rated operational voltage	$U_e$	230 V AC; 200 V DC (according to EN 81-20, -50)
Rated operational current	$I_e$	2 A (according to EN 81-20, -50)
Direct opening action	☞	acc. to IEC/EN 60947-5-1, Annex K
Gap between NC-contacts	Ⓢ	DIN EN 81-20
Short-circuit protective device		Fuse 6 A gG

Mechanical data	
Enclosure	PC(Self-extinguishing) red
Cover	PC(Self-extinguishing) transparent
Actuator	need to order separately
Ambient air temperature	-30 °C ... + 70 °C
Contact type	1 N.C.
Mechanical life	10 x 10 <sup>6</sup> operating cycles at ≤ 30 operating cycles /min 1 x 10 <sup>6</sup> operating cycles at ≤ 60 operating cycles /min
Switching frequency	≤ 60 / min.
Assembly Safety switch	2 x M4 thread rolling captive screws according to DIN 7500
Connection	2 screw connections (M3,5)
Conductor cross-sections	Solid wire: 0,5 ... 1,5 mm <sup>2</sup> or Stranded wire with ferrules: 0,5 ... 1,5 mm <sup>2</sup>
Weight	≈ 0,02 kg
Installation position	operator definable
Protection type	IP20 acc. to EN 60529

Standards	
	DIN EN 60947-5-1
	EN 81-20, EN 81-50

EU Conformity	
	acc. to directive 2014/35/EU(Low-Voltage-Directive)

Approvals	
	TÜV SÜD
	c <sub>CSA</sub> <sub>US</sub>
	ASME
	c <sub>UL</sub> <sub>US</sub>
	CCC

Notes	
<p>The centre of the misalignment between the P0 actuator and the switch add up to 3<sub>-0,4</sub> mm.                      The electrical data apply to the P0 actuator.                      Do not use switch as end stop.</p> <p>Door switch to be used in elevator doors.</p> <p>The cable entry must be covered by additional measures at the installation site.</p>	