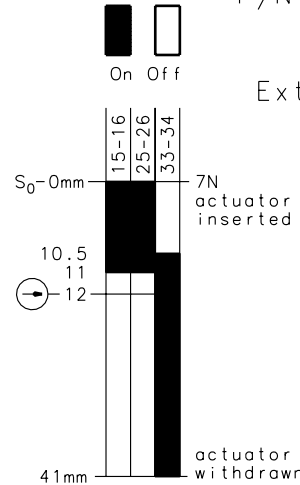
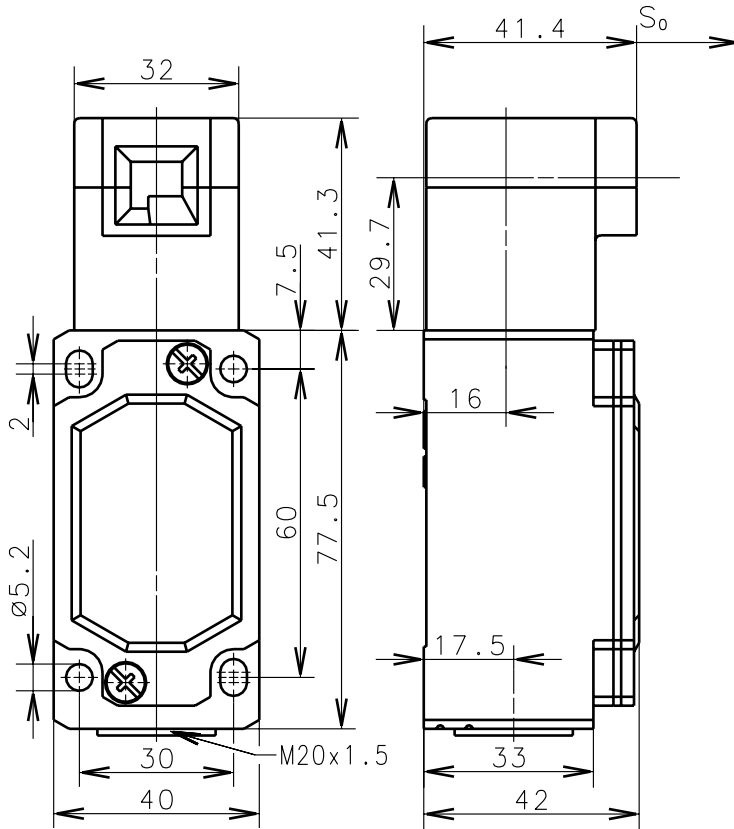


**Bernstein**Bernstein AG
Postfach 1164
D-32437 Porta Westfalica**Technical data sheet****ENM2-UV15Z VTW gelb****611.6269.096**

Positive opening operation according to DIN EN 60947-5-1 IEC 60947-5-1

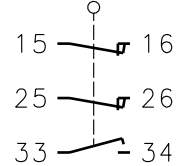
MODEL SI-LM40KHFY
P/N 49477

Extraction force 15N



Switching diagram

(actuator inserted)



Switching symbol

Tolerance: operating point $\pm 0.25\text{mm}$; actuating force $\pm 10\%$ Schutzvermerk nach DIN 34 beachten
Copyright reserved**Mechanical features**

Enclosure: Al-die cast, RAL 1018
 Cover: Al-plate, RAL 9005
 Actuating head: Al-die cast, RAL 9005
 Actuator: without actuator

Ambient air temperature: -30°C up to $+80^\circ\text{C}$
 Contact type: 2 NC-contacts, 1 NO-contact (Zb)

Mechanical life: 1×10^6 switch operations
 Switch frequency: max. 50/min
 Mounting: 4 x M5

Connection type: 6 screw connections (M3)
 Conductor cross-section: single core 0.5-1.5mm² / litz wire with connector sleeve 0.5-1.5mm²
 Cable entry size: 1 x M20x1.5
 Weight: approx. 0,31 kg

Electrical features

Rated insulation voltage: $U_i = 250 \text{ V AC}$
 Conventional thermal current: $I_{the} = 5 \text{ A}$
 Max. inrush current: according to IEC 60947-5-1; AC 15, B300
 Utilization categorie: AC 15, B300, U_e/I_e 240V/1.5A
 Standards: according to EN 60947-1; EN 60947-5-1
 Protection class (IP-Code): IP65 according to EN 60529, DIN VDE 0470 T1
 Short-circuit protection: Fuse 6A gL/gG, IEC/EN 60947-5-1, appendix K

Approach possibilities

By loosening the 4 screws the Actuation Assembly can be rotated in 90 degree increments such that 2 Actuation directions are possible. The Actuation Assembly is to be again fastened to the housing using the 4 screws.

Remarks

Velocity for actuating $V_{max} = 1.5\text{m/s}$.
 The rated protection class (IP-Code) is valid only at closed cover and when using an at least equivalent cable gland.

02.08.2002