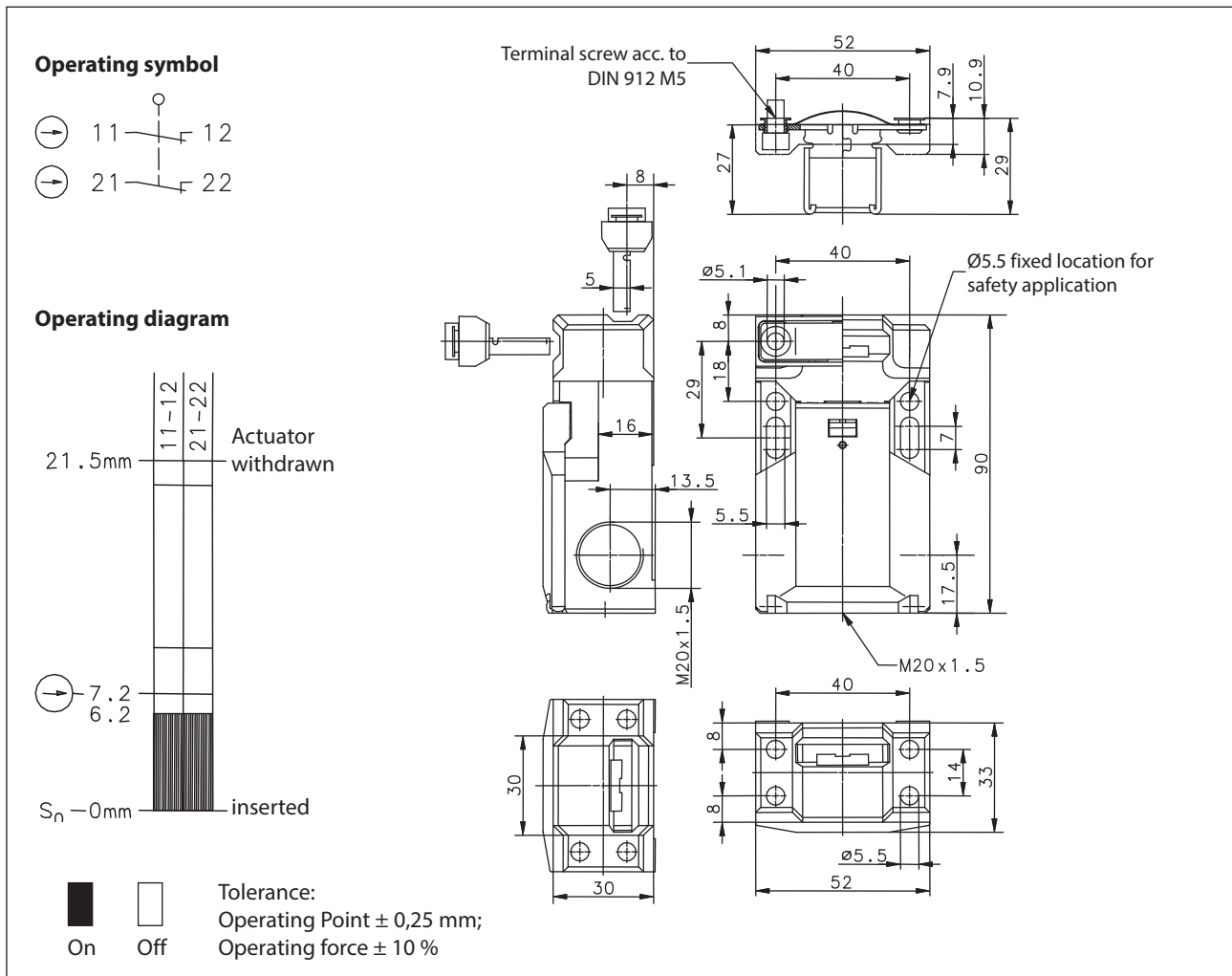


Safety switch

Series SK- with separate actuator

Description **SK-A2Z M**

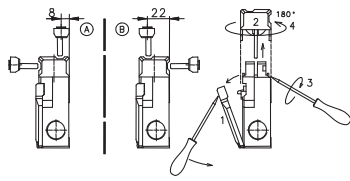
Article number **6116169254**



Electrical Data		
Rated insulation voltage	U_i	250 V AC
Conv. thermal current	I_{the}	10 A
Utilization category		AC-15, U_e / I_e 240 V / 3 A
Direct opening action	\ominus	according to IEC/EN 60947-5-1, Annex K
Short-circuit protective device		Fuse 6 A gG
Protection class		II, totally insulated

Mechanical data	
Enclosure	Thermoplastic, glass fibre reinforced (UL94-V0)
Cover	Thermoplastic, glass fibre reinforced (UL94-V0)
Actuator	Separate actuator (St-stainless steel)
Extraction force	10 N
Ambient air temperature	-30 °C ... +80 °C
Contact type	2 NC (Zb)
Mechanical life	1 x 10 ⁶ switching cycles
Switching frequency	≤ 30 / min.
Assembly	Safety switch 2 x M5 Actuator 2 x M5
Connection	4 screw connections (M3,5)
Conductor cross-sections	Solid: 0,5 ... 1,5 mm ² Litz wire with ferrules: 0,5 ... 1,5 mm ²
Cable entrance	3 x M20 x 1,5
Weight	≈ 0,13 kg
Installation position	operator definable
Protection type	IP65 acc. to IEC/EN 60529

ID for safety engineering	
B10d	2 x 10 ⁶ cycles

Actuation	
<p>Turning the cap (pos A/B) allows 4 different directions of drive. Cover (1) has to be opened before turning the cap (2). Insert the screwdriver into the gap between housing and cap and turn until the cap snaps off. Remove the cap, turn it 180° (4), latch it into the housing and close the cover.</p>	

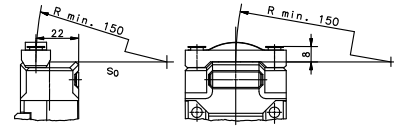
Standards
VDE 0660 T100, DIN EN 60947-1, IEC 60947-1
VDE 0660 T200, DIN EN 60947-5-1, IEC 60947-5-1
DIN EN ISO 13849-1

EU Conformity
acc. to directive 2006/42/EC

Approvals
TÜV Rheinland, Product Safety
c_CSA _{US} A300 (same polarity)
CCC

Notes

The degree of protection (IP code) specified applies solely to a properly closed cover and the use of an equivalent cable gland with adequate cable.
 The switch may not be used as a mechanical stop.
 Radial actuation may reduce the mechanical life.
 The min. radius refers to a pivot at the top of the cap (S_0).
 Tapped holes not in use must be closed with blind plugs.



Accessories:

- cable gland M20x1,5 supplied loose (clamping range $\varnothing 5 - 10$ mm)